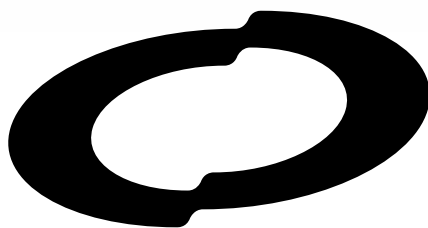
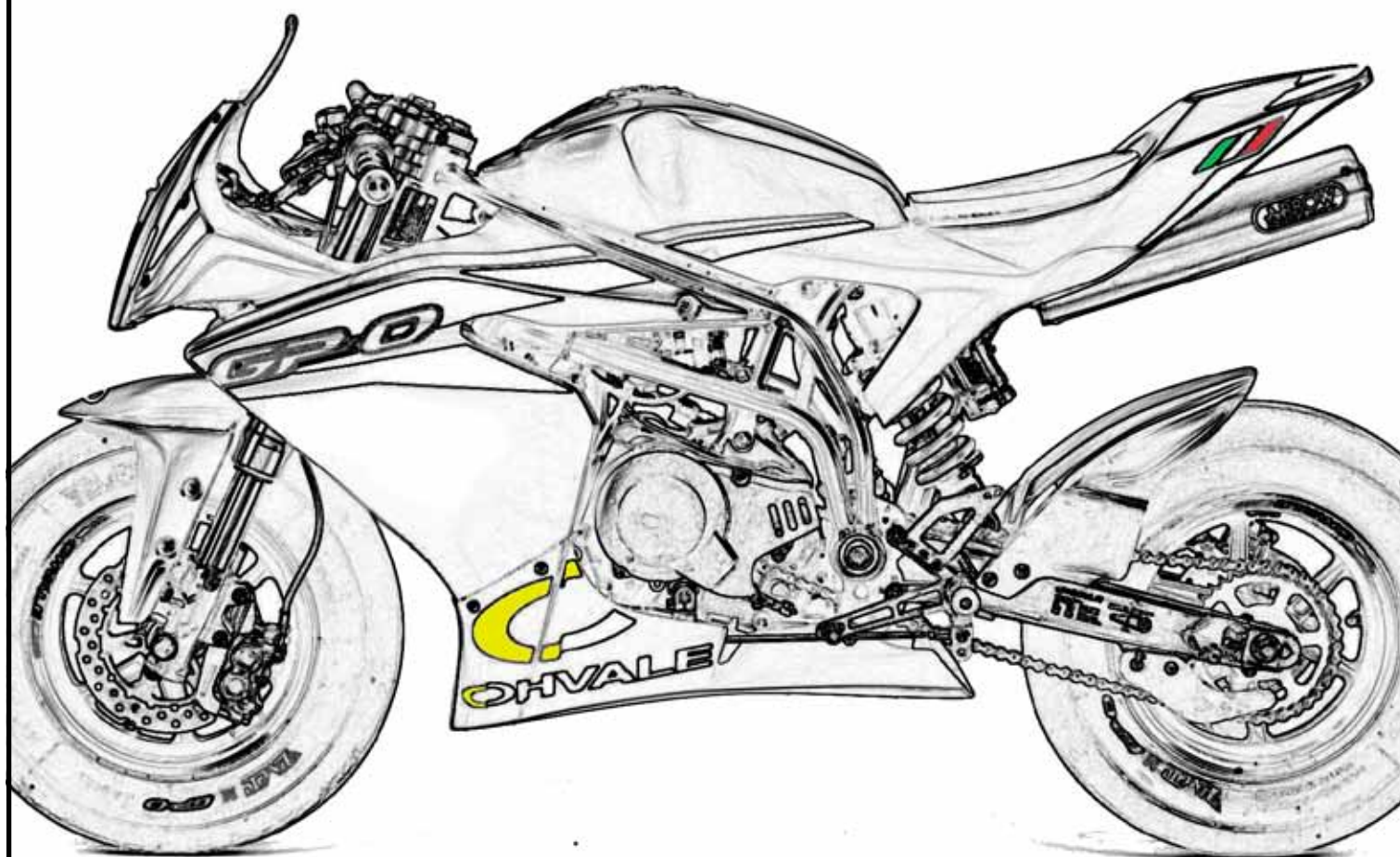


Spare parts Catalogue

GP

2019



OHVALE

Last update 07/01/2019



FRAME assy	
Frame - mod. 110 A, 110 4S e 160 4S.....	1
Frame - mod. 190 e 212 Daytona.....	2
Footrest assy R - shift models.....	3
Footrest assy L - shift models.....	4
Footrests assy - mod. 110 A.....	5
Steering assy - shift models.....	6
Steering assy - mod. 110 A.....	7
Front fork assy.....	8
Rear swingarm assy.....	9
Rear shock absorber.....	10
Front wheel - 10 spokes.....	11
Front wheel - 3 spokes.....	12
Rear wheel - 10 spokes.....	13
Rear wheel - 3 spokes.....	14
Tyres.....	15
Complete brake system.....	16
Front brake caliper.....	17
Front brake master cylinder - first model.....	18
Front brake master cylinder - last model.....	19
Rear brake caliper.....	20
Rear brake master cylinder.....	21
Rear brake master cylinder mod.110 A - first model.....	22
Rear brake master cylinder mod.110 A - last model.....	23
Brake system tubes.....	24
Fuel tank and recovery tanks (until 2016).....	25
Fuel tank and recovery tanks - from my 2017.....	26
ELECTRIC SYSTEM assy	
Electric system - shift models.....	27
Electric system mod. 110 A - my 2017.....	28
ENGINE assy	
Intake system mod. 110 A - my 2017	30
Intake system mod. 110 4S - my 2017.....	31
Intake system - mod. 160 (fino al 2016).....	32
Intake system mod. 160 4S - my 2017.....	33
Intake system - mod. 190 Daytona.....	34
Oil cooling system.....	35
Exhaust system (until 2016).....	36
Exhaust system - my 2017.....	37

ENGINE assy

Engine spare parts 110 A - my 2017.....	see file ZS 110 A
Engine spare parts 110 4S - my 2017.....	see file ZS 110 4S
Engine spare parts 160 (until 2016).....	see file 160 YX/ZR
Engine spare parts 160 4S - my 2017.....	see file ZS 160 4S
Engine spare parts 190 Daytona.....	see file 190 Daytona

OTHER COMPONENTS assy

Hour meter, tools, stand and kick start lever.....	38
----------------------------------------------------	----

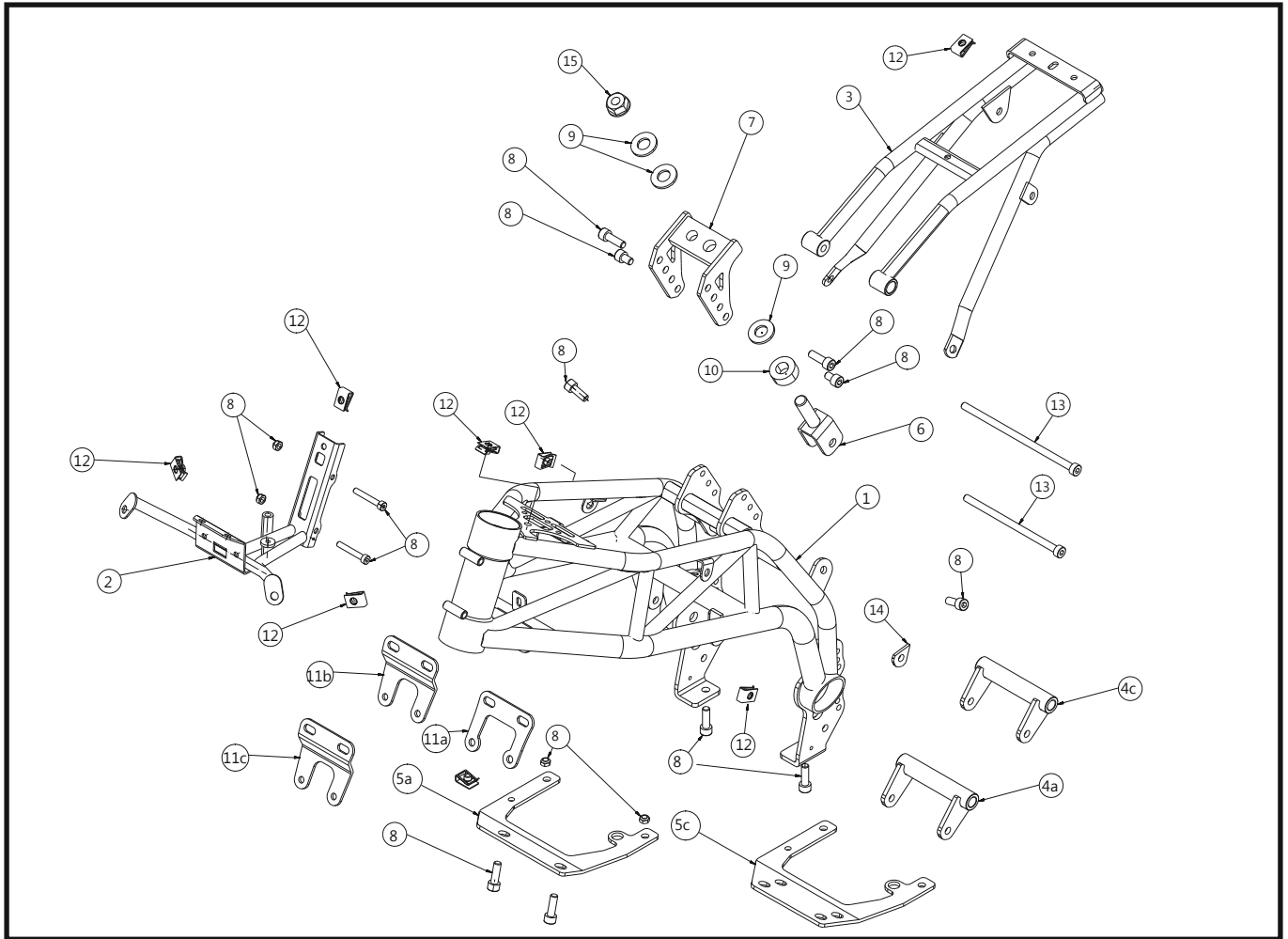
FAIRINGS assy

Unpainted fairings	39
Painted fairings.....	40
Decals mod. 110 A - my 2017.....	41
Decals mod. 110 4S - my 2017.....	42
Decals mod. 160 4S BLACK - my 2017.....	43
Decals mod. 160 4S WHITE - my 2017.....	44
Decals mod. 190 Daytona BLACK - my 2017.....	45
Decals mod. 190 Daytona WHITE - my 2017.....	46

ACCESSORIES assy

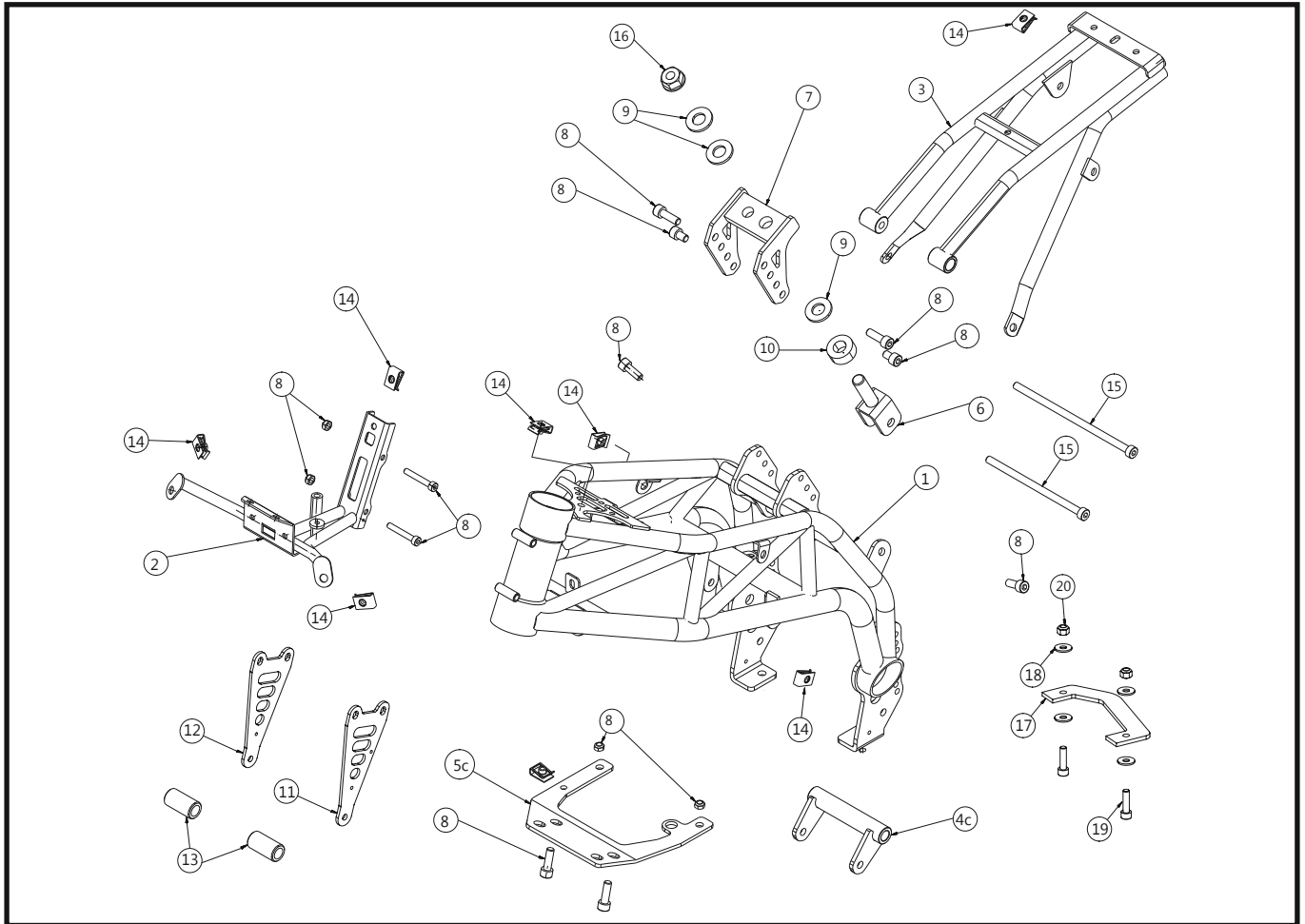
Accessories GP-0.....	47
GP-0 TRANSMISSION accessories.....	48
GP-0 HANDLINGS accessories.....	49
GP-0 OHLINS accessories.....	50

Group	FRAME
Description	Frame - mod. 110 A, 110 4S, 160 4S



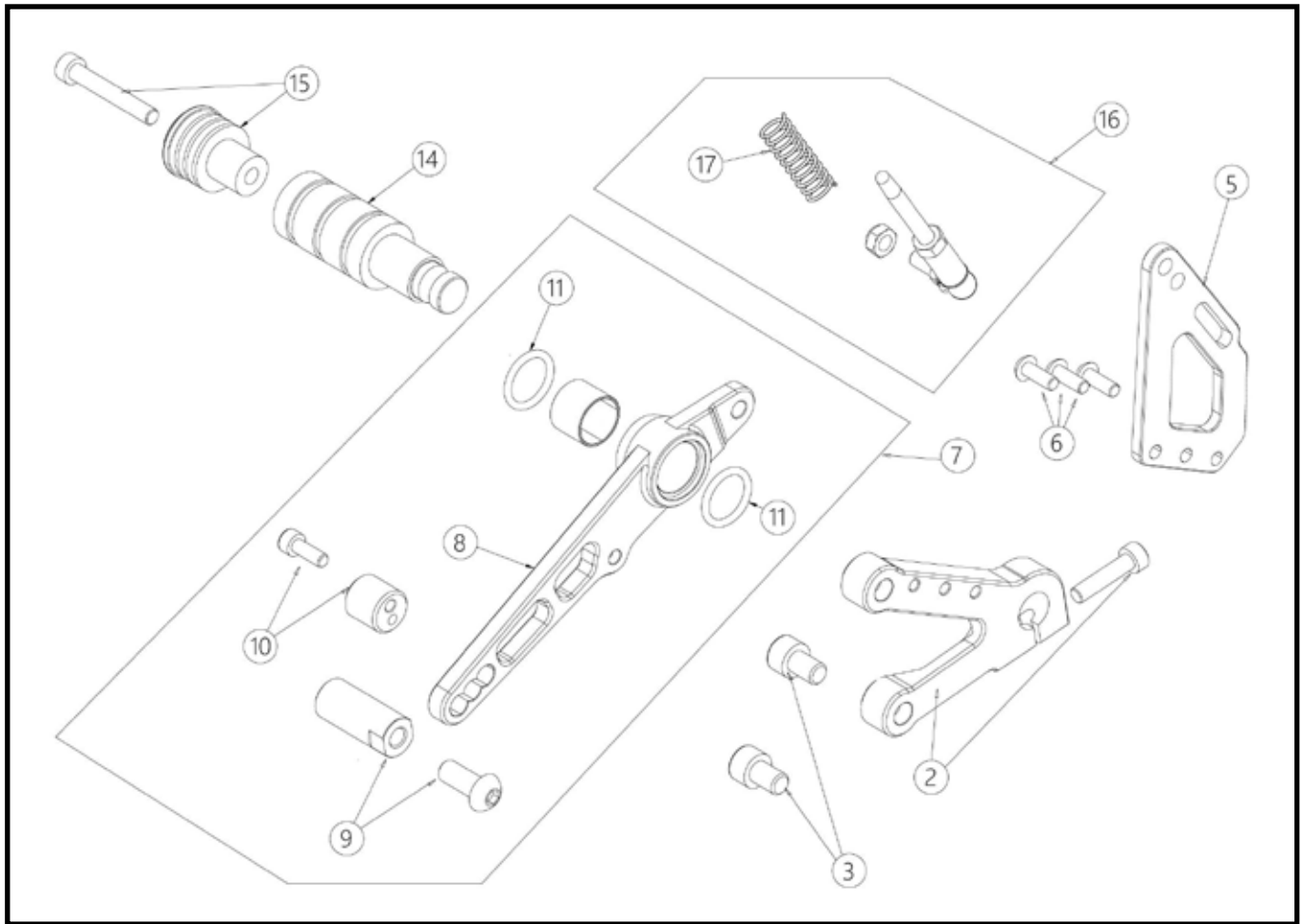
N.	Code	Description	Q.ty
1	01.TE.0001.L	Frame - mod. 110 A, 110 4S and 160 4S - Black	1
2	01.TE.0007.L	Front frame	1
3	01.TE.0003.L	Rear frame	1
4a	01.TE.0004.L	Engine rear support - mod. 110 A and 160 4S black	1
4c	01.TE.0102.L	Engine rear support - mod. 110 4S, 190 and 212 galvanized	1
5a	01.TE.0011.L	Engine lower support - mod. 110 A and 160 4S	1
5c	01.TE.0103.L	Engine lower support - mod. 110 4S, 190 and 212	1
6	01.TE.0006.L	Shock absorber upper support	1
7	01.TE.0005.L	Rear frame and shock absorber support	1
8	01.TE.0027.L	Kit frame screws	1
9	01.AM.0010.L	M14 washer	1
10	01.AM.0008.L	Shock absorber spacer	1
11a	01.TE.0020.L	Engine front support mod. 110 A	1
11b	01.TE.0008.L	Engine front support mod. 160 4S	1
11c	01.TE.0021.L	Engine front support mod. 110 4S	1
12	01.TE.0026.L	Kit clips frame and fairings	1
13	01.MO.0006.L	Screw TE M8x110 10.9	1
13	01.MO.0009.L	Screw TE M8x120 10.9	1
14	01.MO.0055.L	Rear mount washer 160 4s	1
15	01.AM.0009.L	Nut M14x1.5	

Group	FRAME
Description	Frame - mod. 190 Daytona



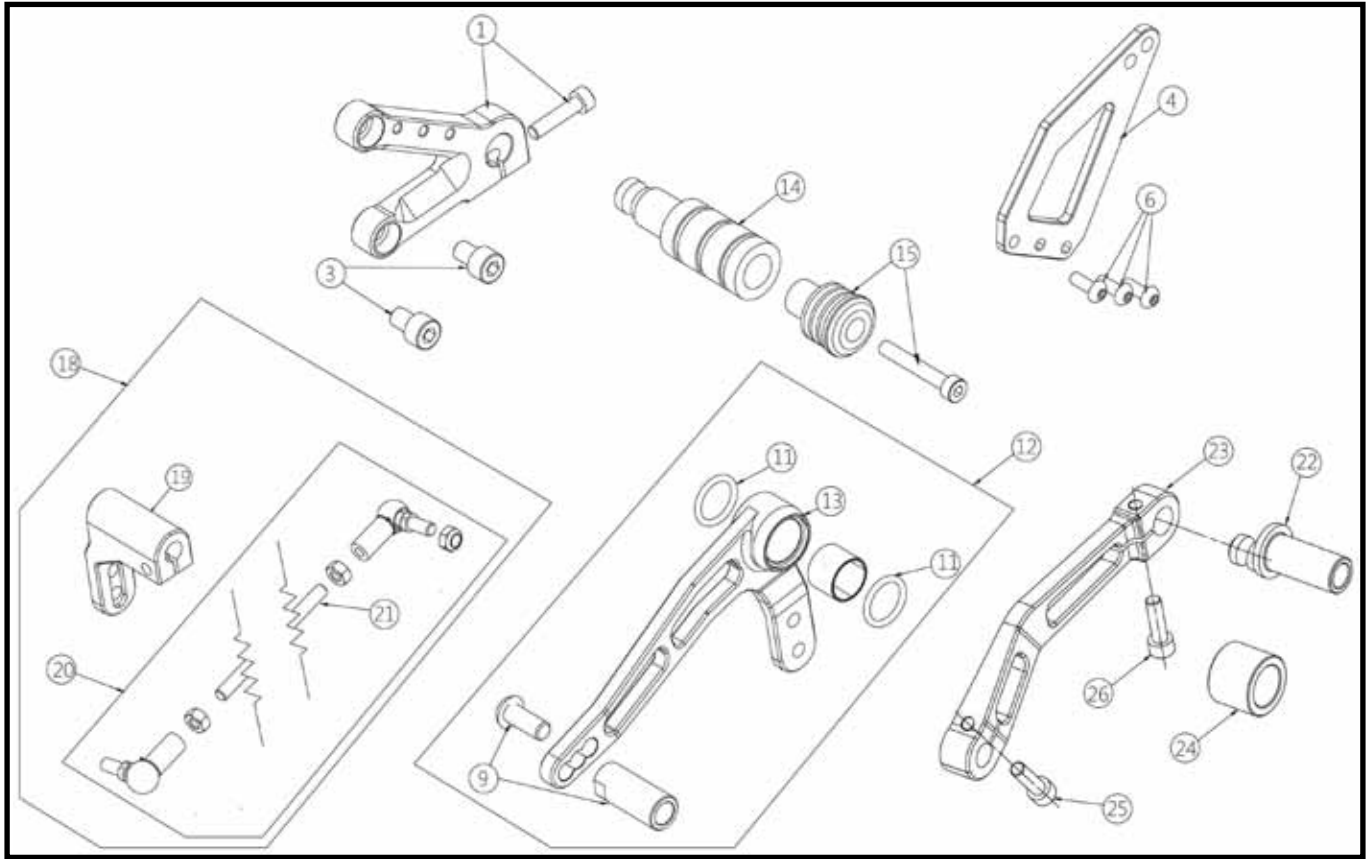
N.	Code	Description	Q.ty
1	01.TE.0101.L	Frame 190 Daytona - Red fluo	1
2	01.TE.0007.L	Front frame	1
3	01.TE.0003.L	Saddle support	1
4c	01.TE.0102.L	Engine rear support - mod. 190 Daytona - Red	1
5c	01.TE.0103.L	Engine lower support - mod. 110 4S and 190	1
6	01.TE.0006.L	Shock absorber upper support	1
7	01.TE.0005.L	Rear frame and shock absorber support	1
8	01.TE.0027.L	Kit frame screws	1
9	01.AM.0010.L	M14 Washer	1
10	01.AM.0008.L	Shock absorber spacer	1
11	01.TE.0105.L	Engine front support L - mod. 190 Daytona	1
12	01.TE.0104.L	Engine front support R - mod. 190 Daytona	1
13	01.TE.0106.L	Engine front support spacer mod. 190 Daytona	1
14	01.TE.0026.L	Kit clips frame and fairings	1
15	01.MO.0006.L	Screw TE M8x110 - 10.9	1
15	01.MO.0009.L	Screw TE M8x120 - 10.9	1
16	01.AM.0009.L	Nut M14x.15	1
17	01.TE.0112.L	Antivibration support	1
18	01.TE.0024.L	Washer M8 large	1
19	01.TE.0015.L	Screw TCEI M8x30	1
20	01.MO.0023.L	Nut M8	1

Group	FRAME
Description	Right footrest assy - shift models



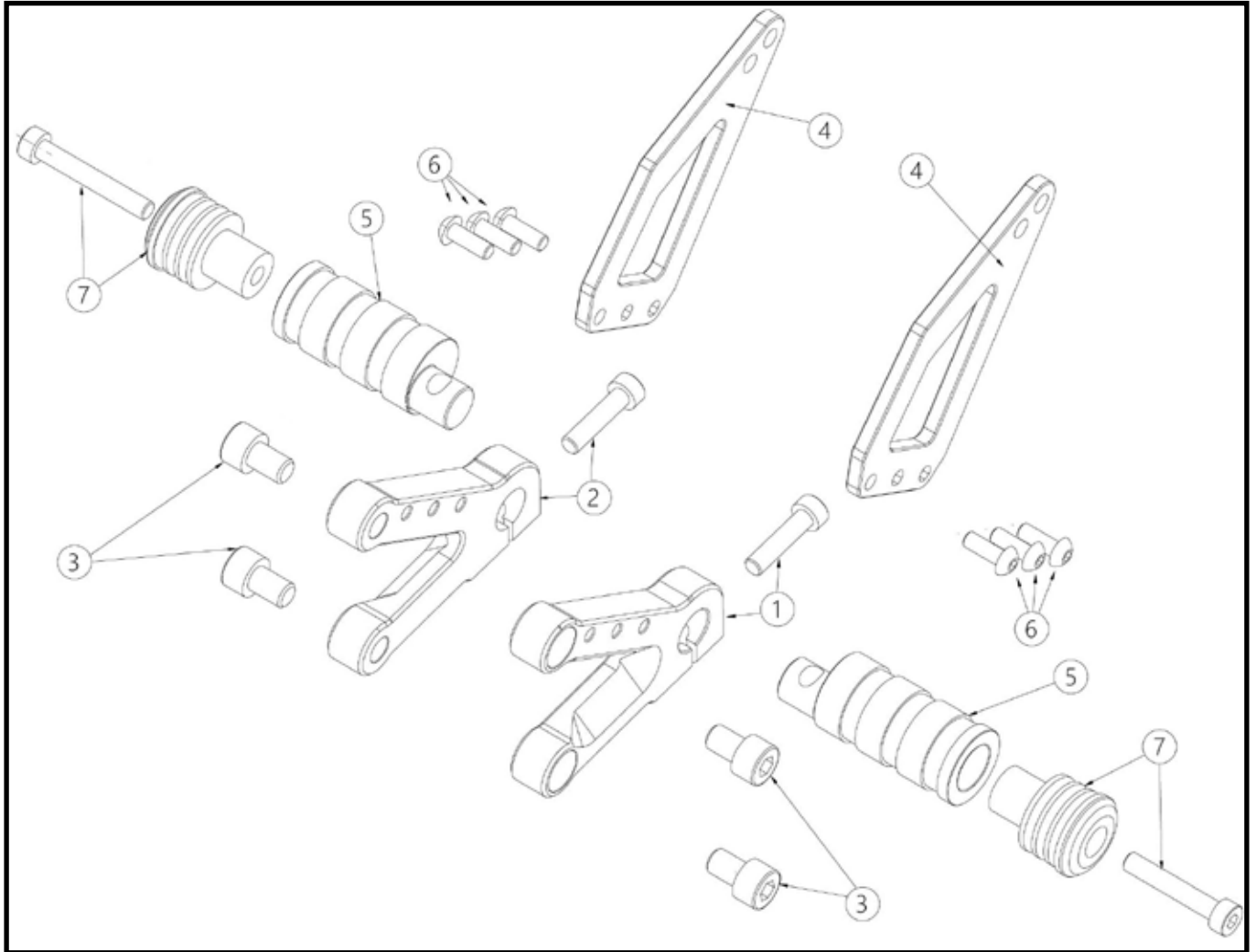
N.	Code	Description	Q.ty
2	01.PE.0004.L	RIGHT footrest support	1
3	01.PE.0009.L	Screw TCEI M8x12	1
5	01.PE.0008.L	Rear brake master cylinder support	1
6	01.AE.0016.L	Screw TBEI M5x16	1
7	01.PE.0027.L	Rear brake lever assy	1
8	01.PE.0011.L	Rear brake lever	1
9	01.PE.0003.L	Pins brake / shift lever	1
10	01.PE.0015.L	Rear brake lever register	1
11	01.PE.0021.L	OR 3068 (2.62x17.12)	1
14	01.PE.0002.L	Footrest	1
15	01.PE.0006.L	Nylon bumper with fixing screw	1
16	01.IF.0024.L	Kit rear brake actuator with spring	1
17	01.IF.0013.L	Brake lever return spring	1

Group	FRAME
Description	Left footrest assy - shift models



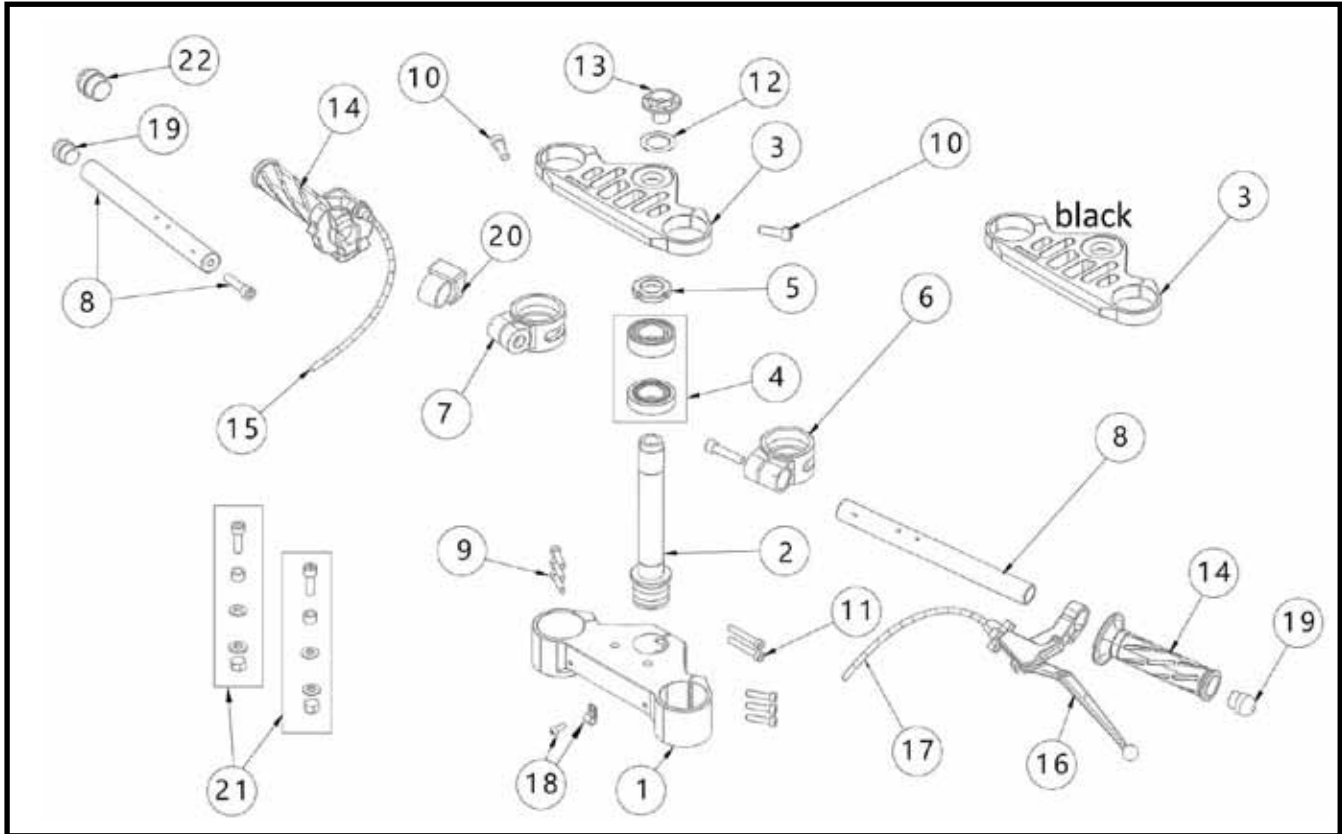
N.	Code	Description	Q.ty
1	01.PE.0005.L	LEFT footrest support	1
3	01.PE.0009.L	Screw TCEI M8x12	1
4	01.PE.0007.L	Toe guard	1
6	01.AE.0016.L	Screw TBEI M5x16	1
9	01.PE.0003.L	Pins brake / shift lever	1
11	01.PE.0021.L	OR 3068 (2.62x17.12)	1
12	01.PE.0026.L	Shift lever assy	1
13	01.PE.0016.L	Shift lever	1
14	01.PE.0002.L	Footrest	1
15	01.PE.0006.L	Nylon bumper with fixing screw	1
18	01.PE.0029.L	Kit gearshift arm and rod	1
19	01.PE.0012.L	Gearshift arm	1
20	01.PE.0014.L	Gearshift rod assy	1
21	01.PE.0013.L	Gearshift tie-rod	1
22	01.OT.0213.L	Pin inverse gear lever	1
23	01.OT.0214.L	Inverse gear lever	1
24	01.OT.0215.L	LEFT footrest spacer	1
25	01.IF.0014.L	Screw TCEI M6x16	1
26	01.PE.0017.L	Screw TCEI M6x20	1

Group	FRAME
Description	Footrest assy - mod. 110 A



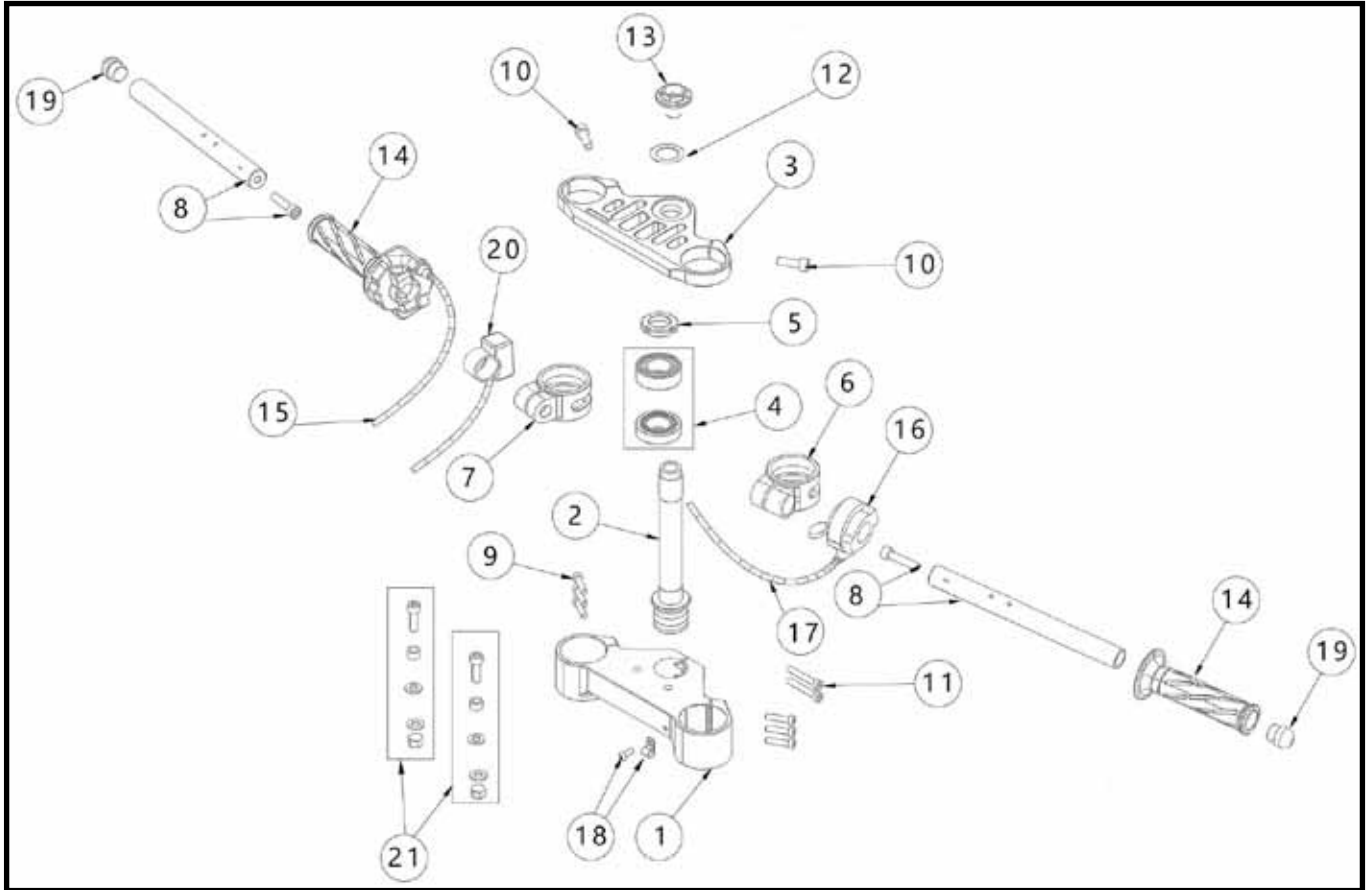
N.	Code	Description	Q.ty
1	01.PE.0005.L	LEFT footrest support	1
2	01.PE.0004.L	RIGHT footrest support	1
3	01.PE.0009.L	Screw TCEI M8x12	1
4	01.PE.0007.L	Toe guard	1
5	01.PE.0024.L	Footrest	1
6	01.AE.0016.L	Screw TBEI M5x16	1
7	01.PE.0006.L	Nylon bumper with fixing screw	1

Group	FRAME
Description	Steering assy - shift models



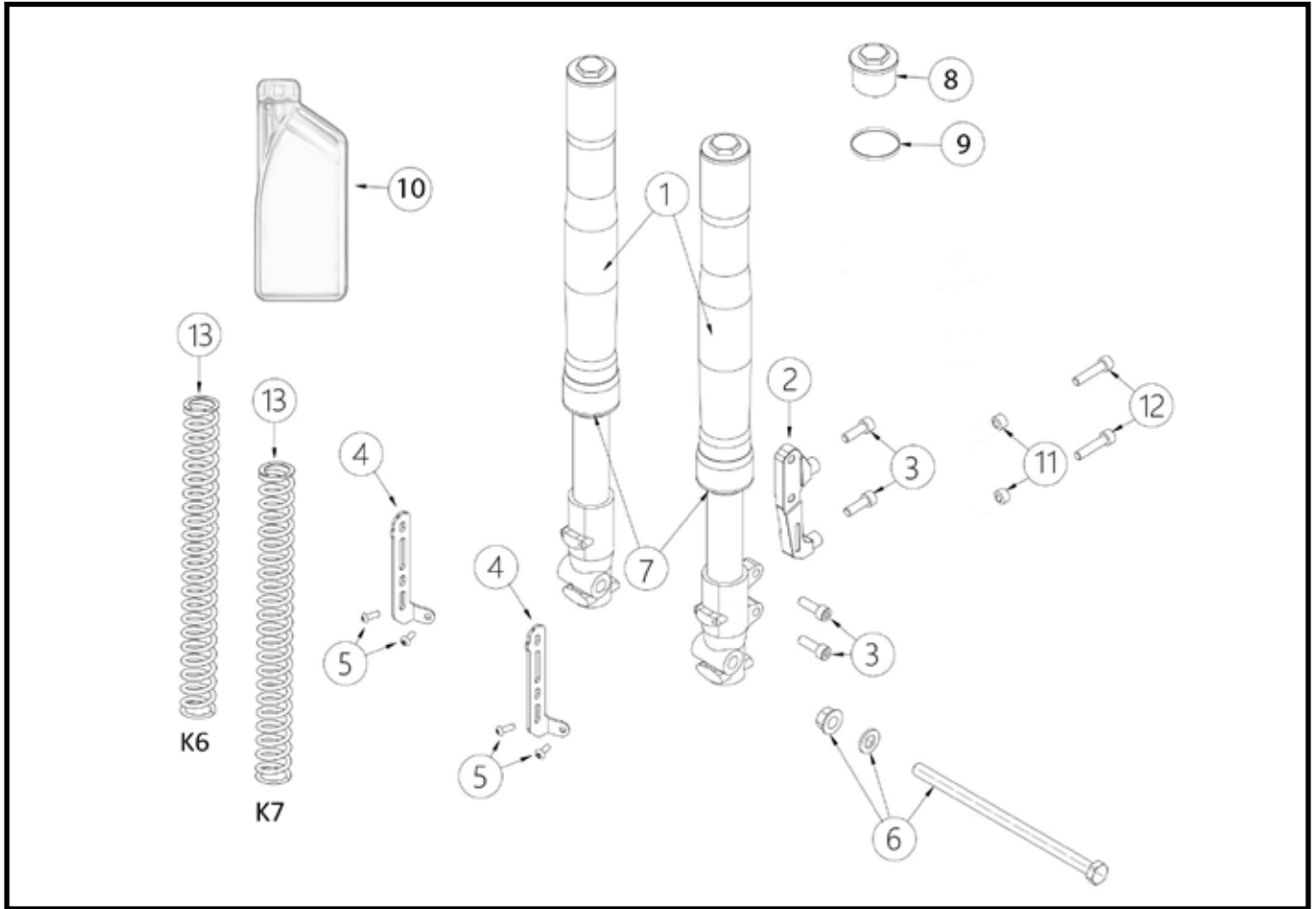
N.	Code	Description	Q.ty
1	01.ST.0002.G	Fork lower plate	1
2	01.ST.0003.G	Steering head	1
3	01.ST.0001.G	Fork upper plate	1
4	01.ST.0010.L	Kit steering bearings	1
5	01.ST.0004.G	Ring nut (KM05 M24x1.5)	1
6	01.MA.0003.G	LEFT half-handlebar collar	1
7	01.MA.0002.G	RIGHT half-handlebar collar	1
8	01.MA.0001.G	Half-handlebar	1
9	01.FA.0008.L	Screw TCEI M6x25	1
10	01.RA.0015.L	Screw TCEI M8x25	1
11	01.FA.0007.L	Screw TCEI M6x40	1
12	01.ST.0009.L	Washer D. 16x30x0.5	1
13	01.ST.0007.L	Fixing screw steering plates	1
14	01.MA.0004.L	Throttle control with handgrips	1
15	01.MA.0016.L	Throttle wire	1
16	01.MA.0007.L	Clutch control	1
17	01.MA.0008.L	Clutch wire - mod. 160 4S and 190 Daytona	1
17b	01.MA.0017.L	Clutch wire - mod. 110 4S	1
18	01.FA.0014.L	Wire fix with fixing screw	1
19	01.MA.0009.L	Half-handlebar plastic bumper	1
20	01.IE.0002.L	Kill switch - mod. 110 and 160 4S	1
20	01.AE.0014.L	Start / Kill switch	1
21	01.ST.0011.L	Kit steering limit switch	1
22	01.MA.0020.L	Half-handlebar heavy bumper	1

Group	FRAME
Description	Steering assy - mod. 110 A



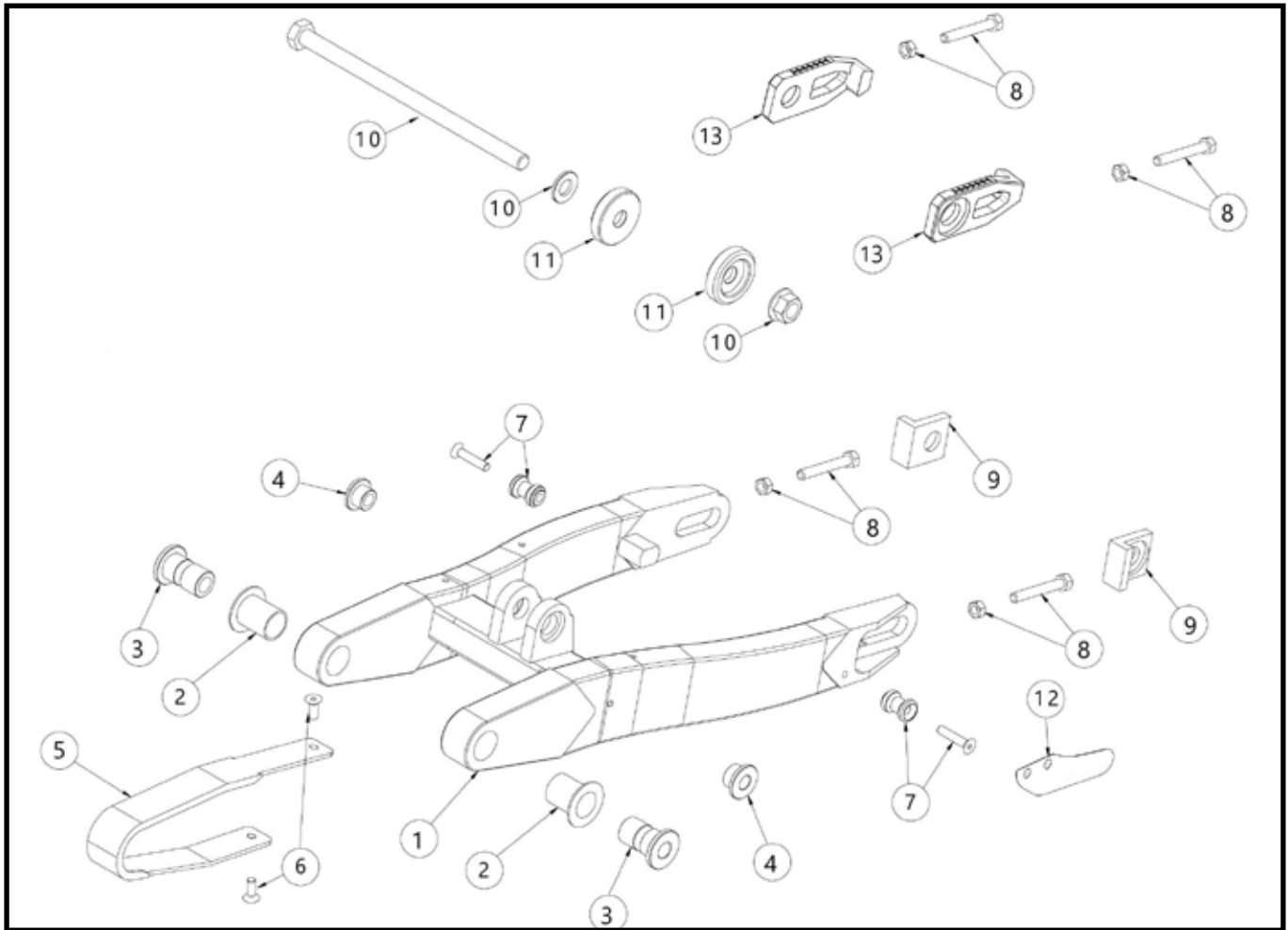
N.	Code	Description	Q.ty
1	01.ST.0002.G	Fork lower plate	1
2	01.ST.0003.G	Steering head	1
3	01.ST.0001.G	Fork upper plate	1
4	01.ST.0010.L	Kit steering bearings	1
5	01.ST.0004.G	Ring nut (KM05 M24x1.5)	1
6	01.MA.0003.G	LEFT half-handlebar collar	1
7	01.MA.0002.G	RIGHT half-handlebar collar	1
8	01.MA.0001.G	Half-handlebar	1
9	01.FA.0008.L	Screw TCEI M6x25	1
10	01.RA.0015.L	Screw TCEI M8x25	1
11	01.FA.0007.L	Screw TCEI M6x40	1
12	01.ST.0009.L	Washer D. 16x30x0.5	1
13	01.ST.0007.L	Fixing screw steering plates	1
14	01.MA.0004.L	Throttle control with handgrips	1
15	01.MA.0013.L	Throttle wire mod. 110 A	1
16	01.MA.0021.L	Choke control Domino	1
17	01.MA.0022.L	Choke wire Domino	1
18	01.FA.0014.L	Wire fix with fixing screw	1
19	01.MA.0009.L	Half-handlebar plastic bumper	1
20	01.AE.0014.L	Start / Kill switch	1
21	01.ST.0011.L	Kit steering limit switch	1

Group	FRAME
Description	Front fork assy



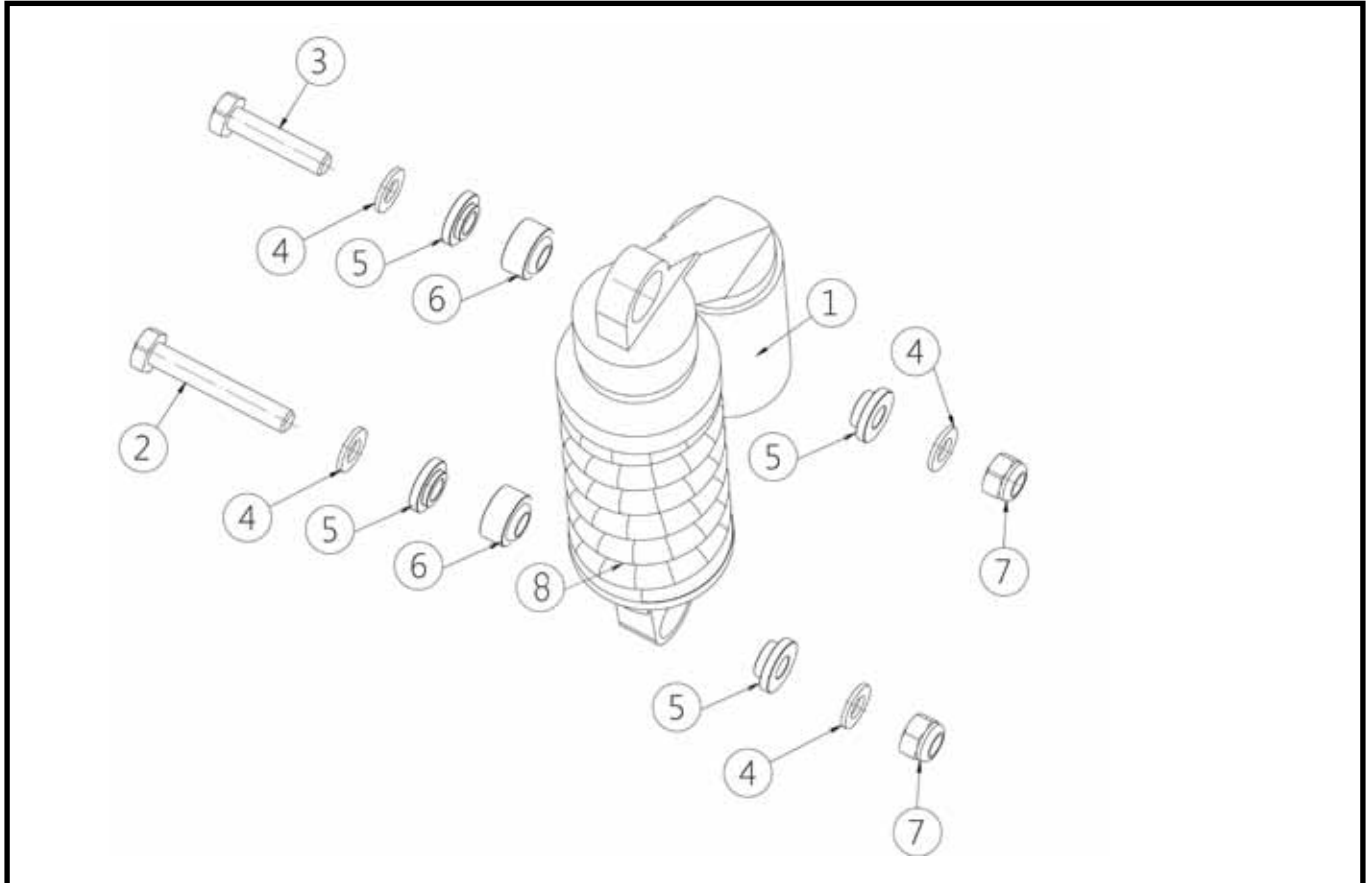
N.	Code	Description	Q.ty
1	01.FA.0005.L	Kit GP-0 fork assy (my 2019)	1
2	01.IF.0009.L	Front brake caliper support	1
3	01.RA.0015.L	Screw TCEI M8x25	1
4	01.TE.0009.L	Front fender support	1
5	01.SE.0025.L	Screw TCEI thin height M6x12	1
6	01.RA.0019.L	Front wheel pivot	1
7	01.FA.0102.L	Seal 33x46x11	2
8	01.FA.0114.L	Upper fork cap	1
9	01.FA.0115.L	OR 3118 Viton fork cap	1
10	01.FA.0017.L	Fork oil GP-0 (500 ml)	1
11	01.IF.0033.L	Front caliper spacer (for 190mm brake disc)	1
12	01.TE.0015.L	Screw TCEI M8x30	1
13	01.FA.0021.L	Spring fork OHVALE K6	1
13	01.FA.0015.L	Spring fork OHVALE K7	1

Group	FRAME
Description	Rear swingarm assy



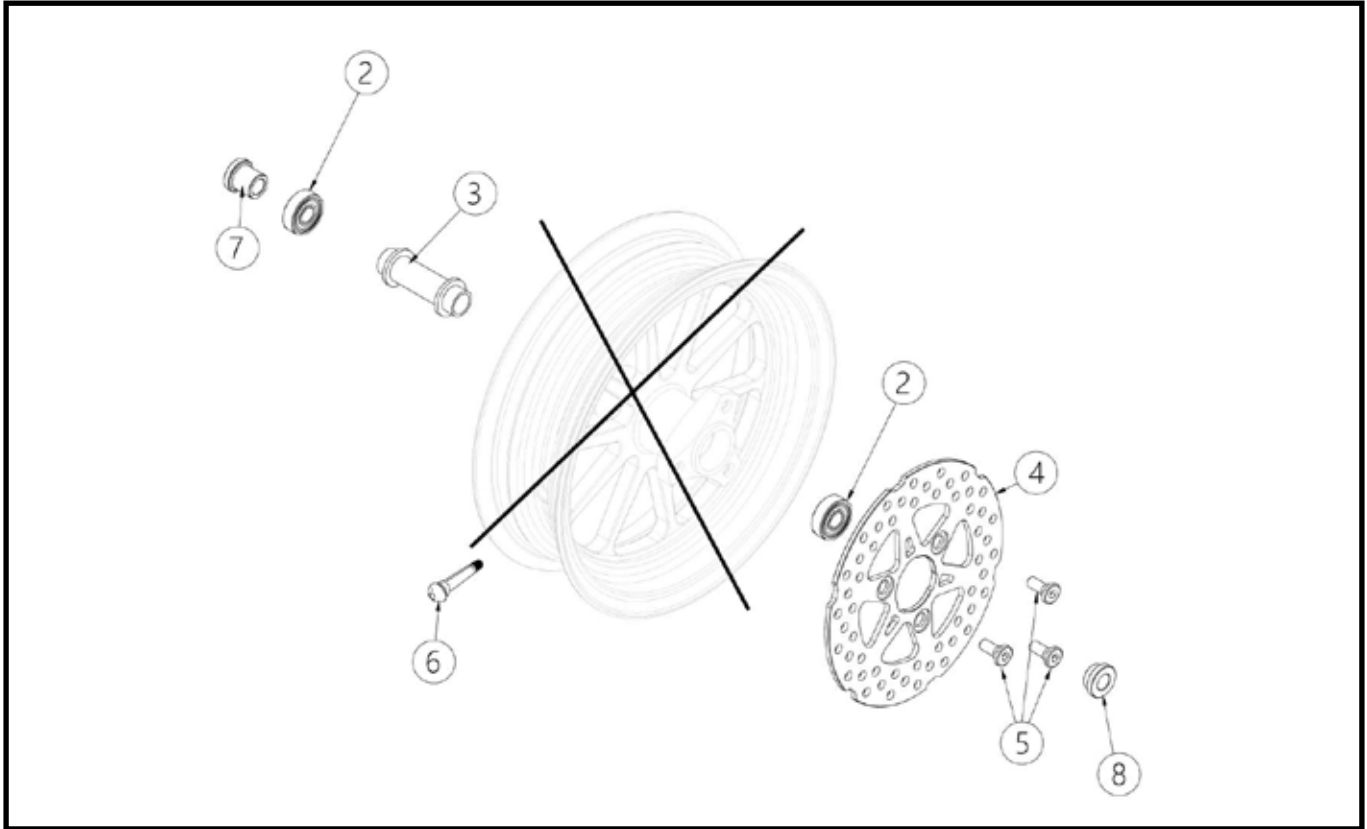
N.	Code	Description	Q.ty
1	01.FO.0009.L	Complete swingarm (parts 1 + 4 + 4 + 2 + 2)	1
2	01.FO.0002.L	Bush PTF 20315 SL	1
3	01.FO.0005.L	Swingarm pin bush	1
4	01.AM.0003.L	Fixing shock absorber bush	1
5	01.FO.0006.L	Chain guide	1
6	01.FO.0016.L	Screw TSEI M6x16	1
7	01.FO.0010.L	Rear stand pin with fixing screw	1
8	01.FO.0013.L	Screw TE M6x50	1
9	01.FO.0018.L	Machined chain tensioner	1
10	01.FO.0021.L	Swingarm pivot M12x220 - complete	1
11	01.FO.0008.L	Pivot washer	1
12	01.FO.0007.L	Chain guard	1
13	01.FO.0022.L	Racing chain tensioner	1

Group	FRAME
Description	Rear shock absorber



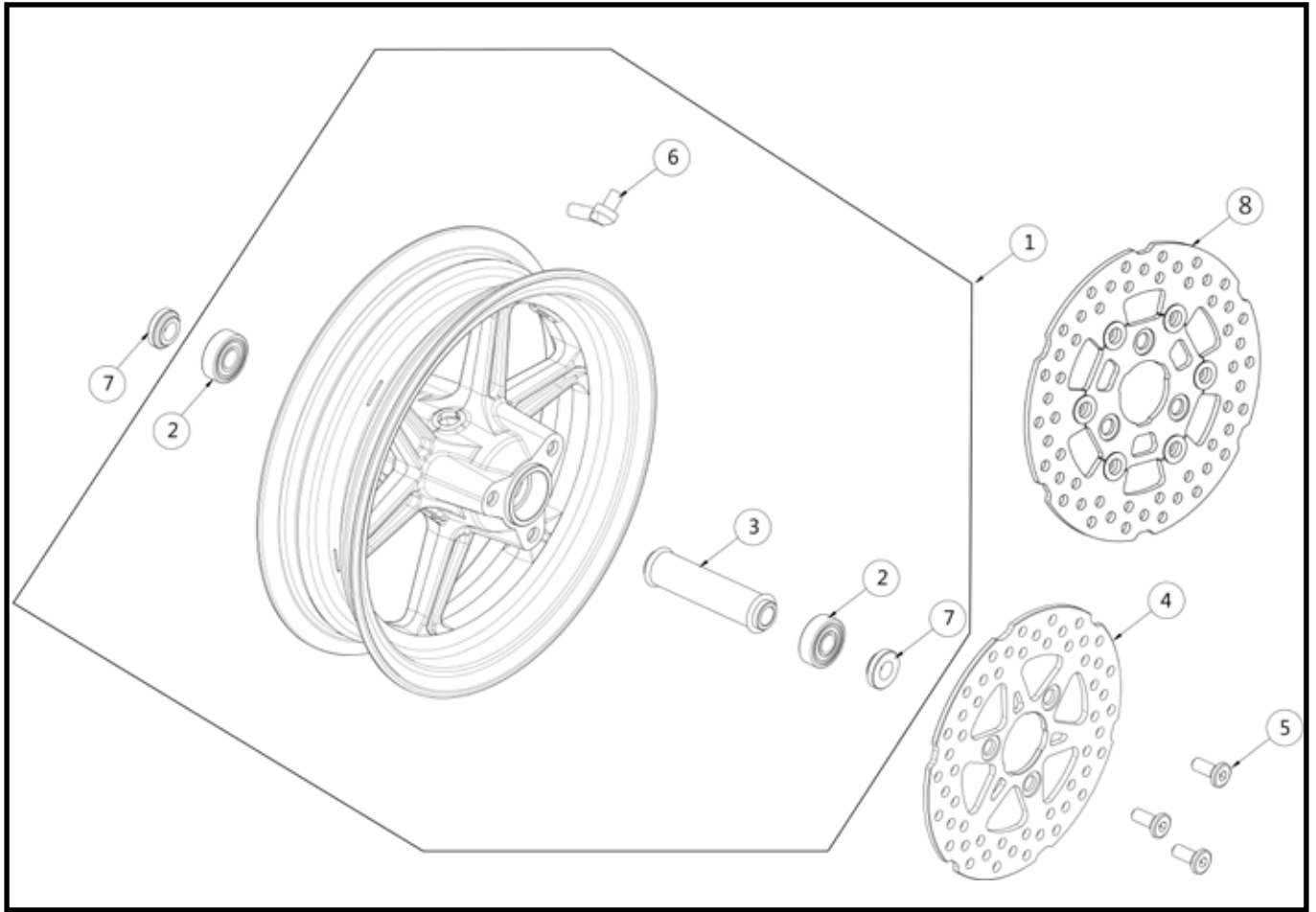
N.	Code	Description	Q.ty
1	01.AM.0012.L	Shock absorber	1
2	01.AM.0004.L	Screw TE M10x60	1
3	01.AM.0007.I	Screw TE M10x45	1
4	01.AM.0006.L	Washer M10	1
5	01.AM.0015.L	Spherical junction bush with OR	1
6	01.AM.0011.L	Spherical junction steel PTFE	1
7	01.AM.0005.L	Lock nut M10	1

Group	FRAME
Description	Front wheel - 10 spokes



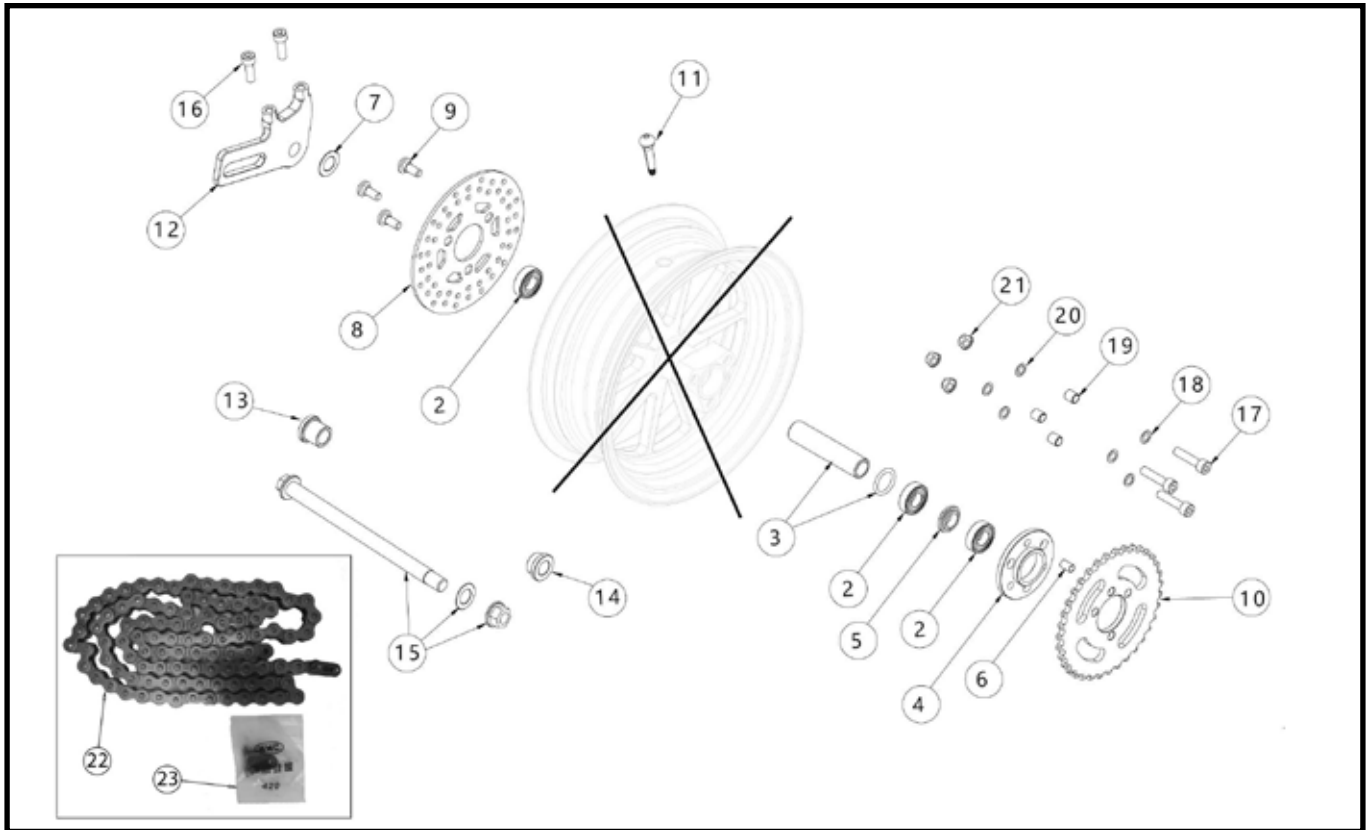
N.	Code	Description	Q.ty
2	01.RA.0023.L	Front wheel bearing 6201-2RS C3	1
3	01.RA.0003.G	Front wheel inner spacer	1
4	01.RA.0014.L	Front brake disc D. 180	1
5	01.RA.0016.L	Special fixing screw for brake disc	1
6	01.RA.0004.L	Valvola tubeless	1
7	01.RA.0007.L	Front wheel pivot spacer R	1
8	01.RA.0008.L	Front wheel pivot spacer L	1

Group	FRAME
Description	Front wheel - 3 spokes



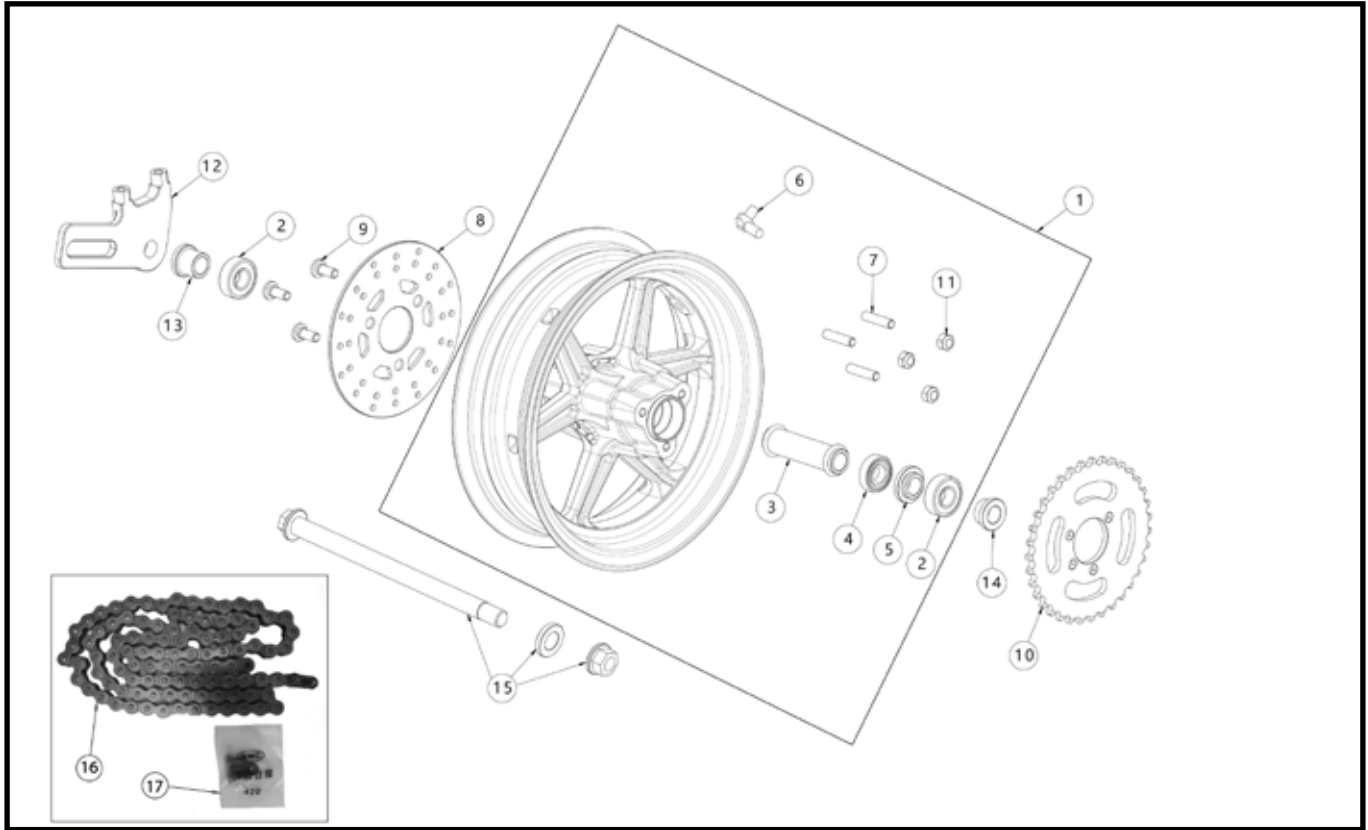
N.	Code	Description	Q.ty
1	01.RA.0005.L	Complete front wheel	1
2	01.RA.0023.L	Front wheel bearing 6201-2RS C3	1
3	01.RA.0021.L	Front wheel inner spacer	1
4	01.RA.0014.L	Front brake disc D. 180	1
5	01.RA.0016.L	Special fixing screw for brake disc	1
6	01.RA.0025.L	Tubeless valve 90° aluminum	1
7	01.RA.0020.L	Front wheel pivot spacer	1
8	01.IF.0036.L	Front floating brake disc D. 190	1

Group	FRAME
Description	Rear wheel - 10 spokes



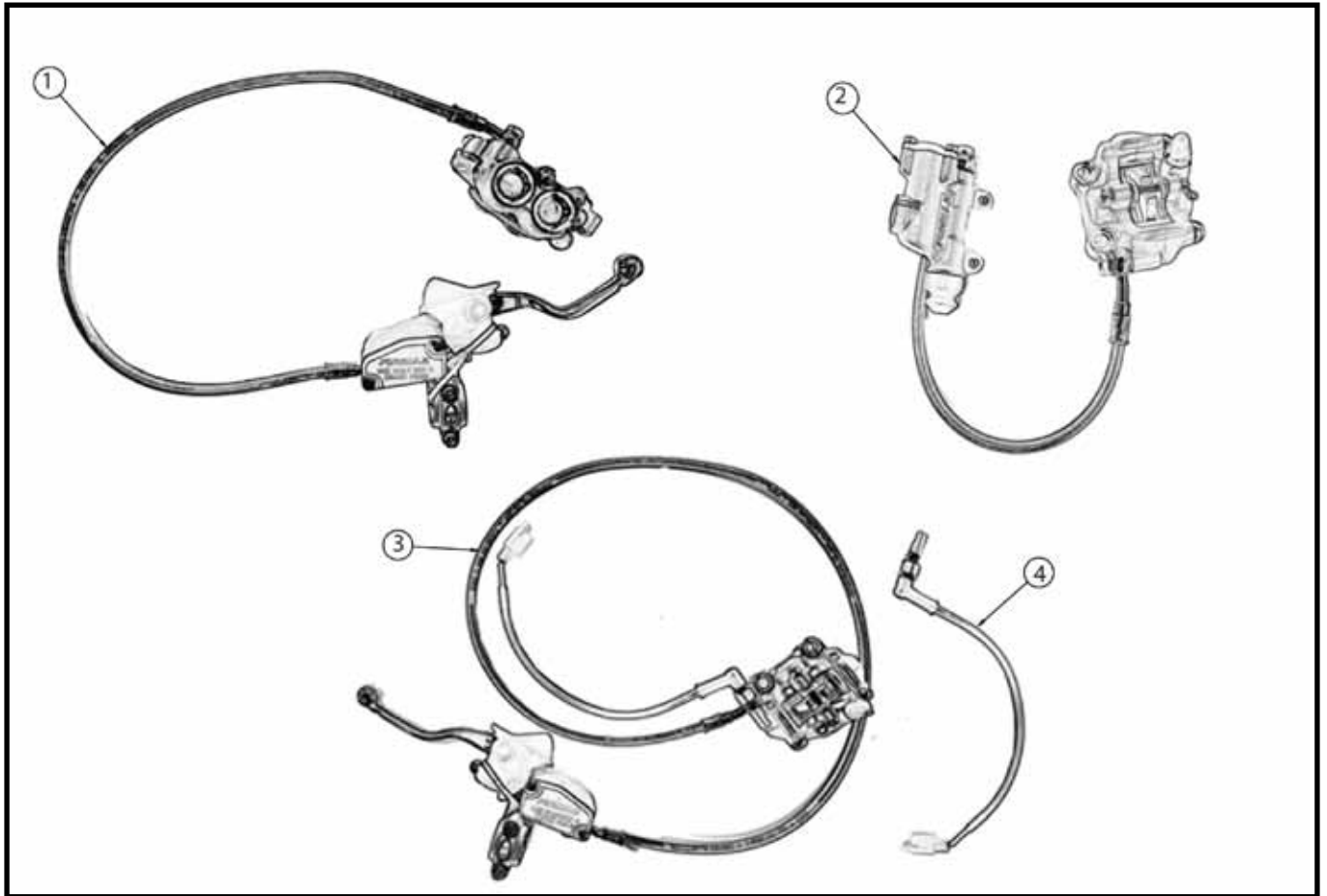
N.	Code	Description	Q.ty
2	01.RP.0002.L	Rear brake bearing 6002-2RS C3	1
3	01.RP.0003.L	Rear wheel inner spacer	1
4	01.RP.0011.L	Sprocket spacer	1
5	01.RP.0017.L	Sprocket bearings spacer	1
6	01.RP.0014.L	Elastic pin D. 8x12	1
7	01.RP.0019.L	Washer M16	1
8	01.RP.0018.L	Rear brake disc D. 155	1
9	01.RA.0016.L	Special fixing screw for brake disc	1
10	01.TR.0001.L	Sprocket Z35	1
10	01.TR.0006.L	Sprocket Z32	1
11	01.RA.0004.L	Tubeless valve	1
12	01.IF.0010.L	Rear brake caliper support	1
13	01.RP.0007.L	Rear wheel spacer R	1
14	01.RP.0015.L	Rear wheel spacer L	1
15	01.RP.0029.L	Rear wheel pivot - Hardened steel C40	1
16	01.RA.0015.L	Screw TCEI M8x25	1
17	01.RP.0102.L	Screw TCEI M8x45	1
18	01.RP.0013.L	Conic washer D.8	1
19	01.RP.0010.L	Sprocket bush	1
20	01.FA.0011.L	Washer M8	1
21	01.MO.0023.L	Lock nut standard height M8	1
22	01.TR.0004.L	Chain 420 L100 - KMC	1
23	01.TR.0005.L	Chain join link	1

Group	FRAME
Description	Front wheel - 3 spokes



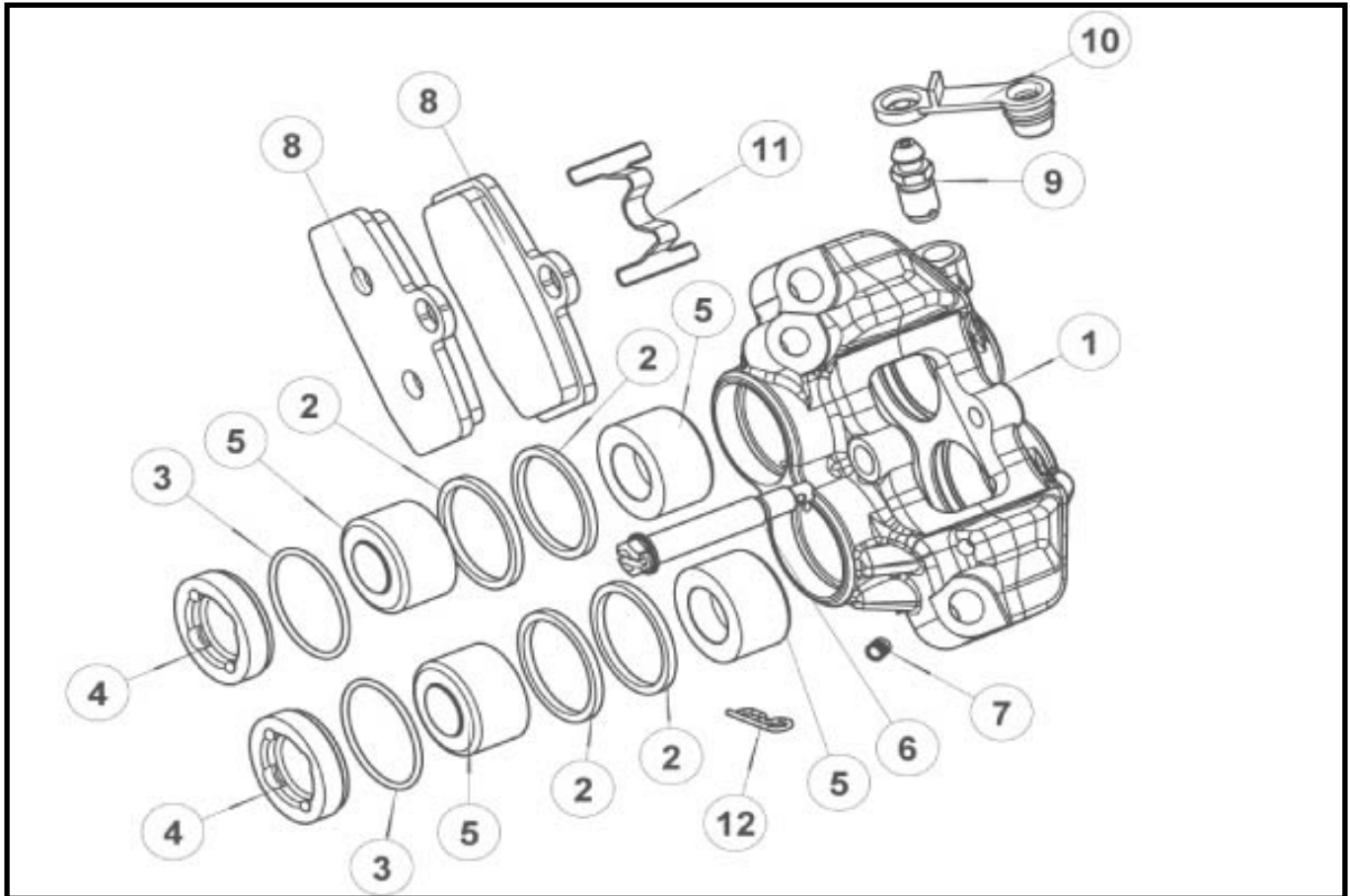
N.	Code	Description	Q.ty
1	01.RP.0006.L	Complete rear wheel	1
2	01.RP.0023.L	Rear wheel bearing 6202-2RS C3	1
3	01.RP.0021.L	Rear wheel inner spacer	1
4	01.RP.0024.L	Rear wheel bearing 6002-2RS C3	1
5	01.RP.0022.L	Sprocket bearings spacer	1
6	01.RA.0025.L	Tubeless valve 90° aluminum	1
7	01.RP.0020.L	Bolt M8x22	1
8	01.RP.0018.L	Rear brake disc D.155	1
9	01.RA.0016.L	Special fixing screw for brake disc	1
10	01.TR.0001.L	Sprocket Z35	1
10	01.TR.0006.L	Sprocket Z32	1
11	01.MO.0014.L	Lock nut standard thin M8	1
12	01.IF.0010.L	Rear brake caliper support	1
13	01.RP.0007.L	Rear wheel spacer R	1
14	01.RP.0015.L	Rear wheel spacer L	1
15	01.RP.0029.L	Rear wheel pivot - Hardened steel C40	1
16	01.TR.0004.L	Chain 420 L100 - KMC	1
16	01.TR.0007.L	Chain 420 L100 - Regina Chain	1
17	01.TR.0005.L	Join link 420 KMC chain	1
17	01.TR.0008.L	Join link 420 Regina Chain	1

Group	FRAME
Description	Complete brake system



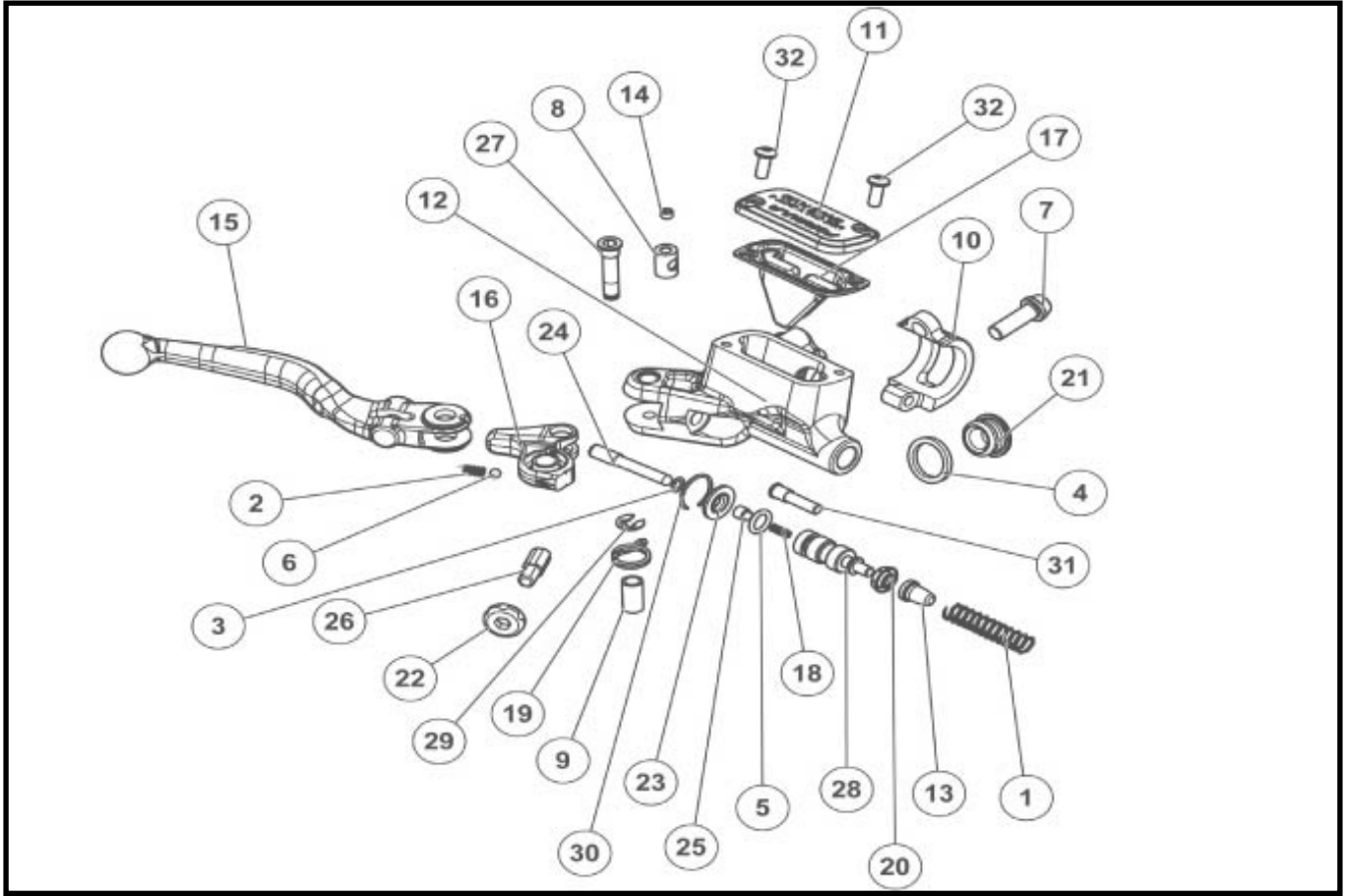
N.	Code	Description	Q.ty
1	01.IF.0001.L	Complete front brake system	1
2	01.IF.0005.L	Complete rear brake system	1
3	01.IF.0026.L	Complete rear brake system mod. 110 A	1
4	01.IF.0101.L	Switch hydrostop mod. 110 A	1

Group	FRAME
Description	Brake system - front brake caliper



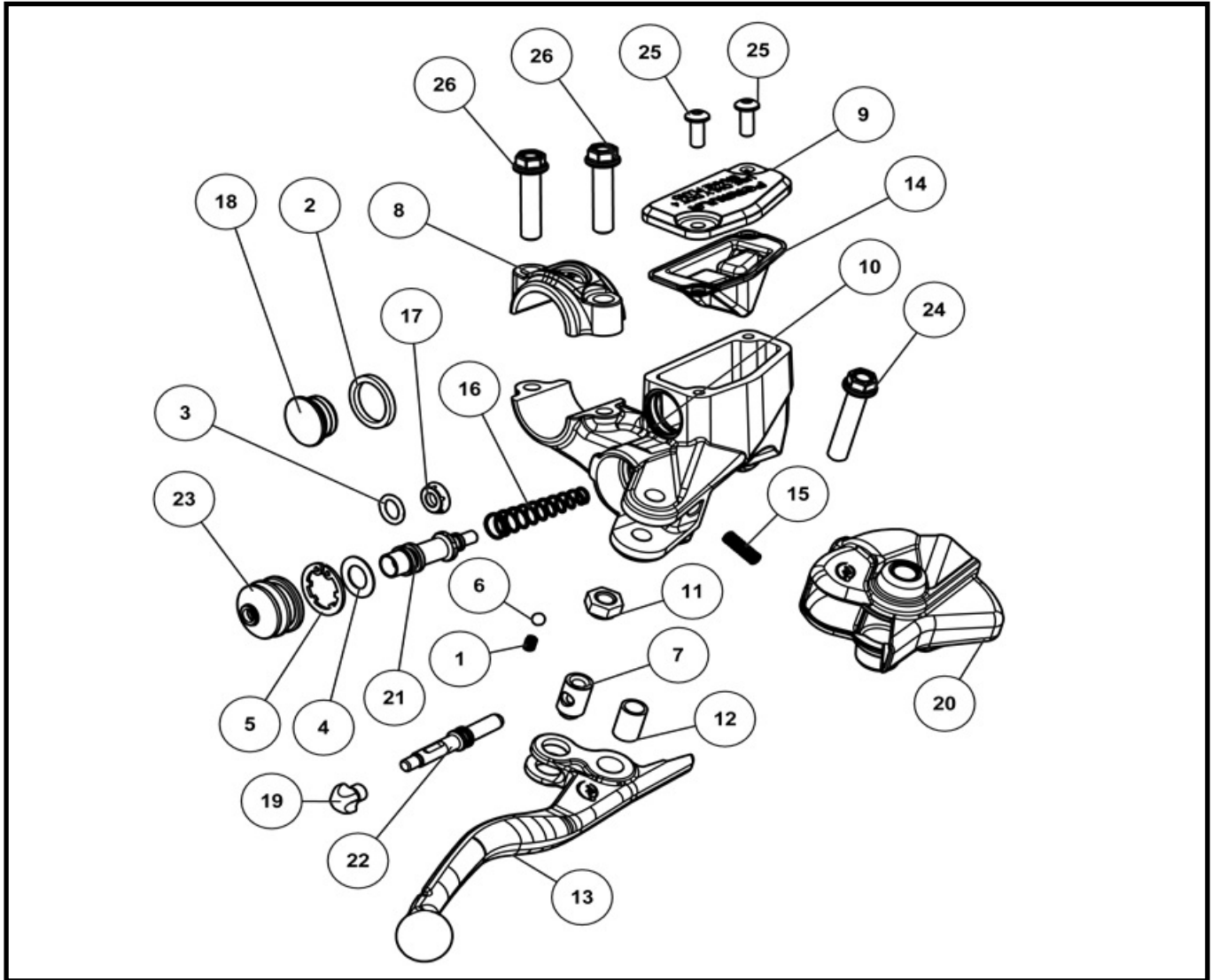
Code	Description	Position
01.IF.0003.G	Front brake caliper	All the parts
01.IF.0069.L	Kit pin pad screw	6-12
01.IF.0022.L	Kit sintered front pads	8-8
01.IF.0070.L	Kit front brake caliper O-ring	2-2-2-2-3-3
01.IF.0071.L	Kit front brake caliper pistons	5-5-5-5
01.IF.0072.L	Pads return spring	11
01.IF.0093.L	Kit bleed screw	9-10

Group	FRAME
Description	Front brake master cylinder - first model



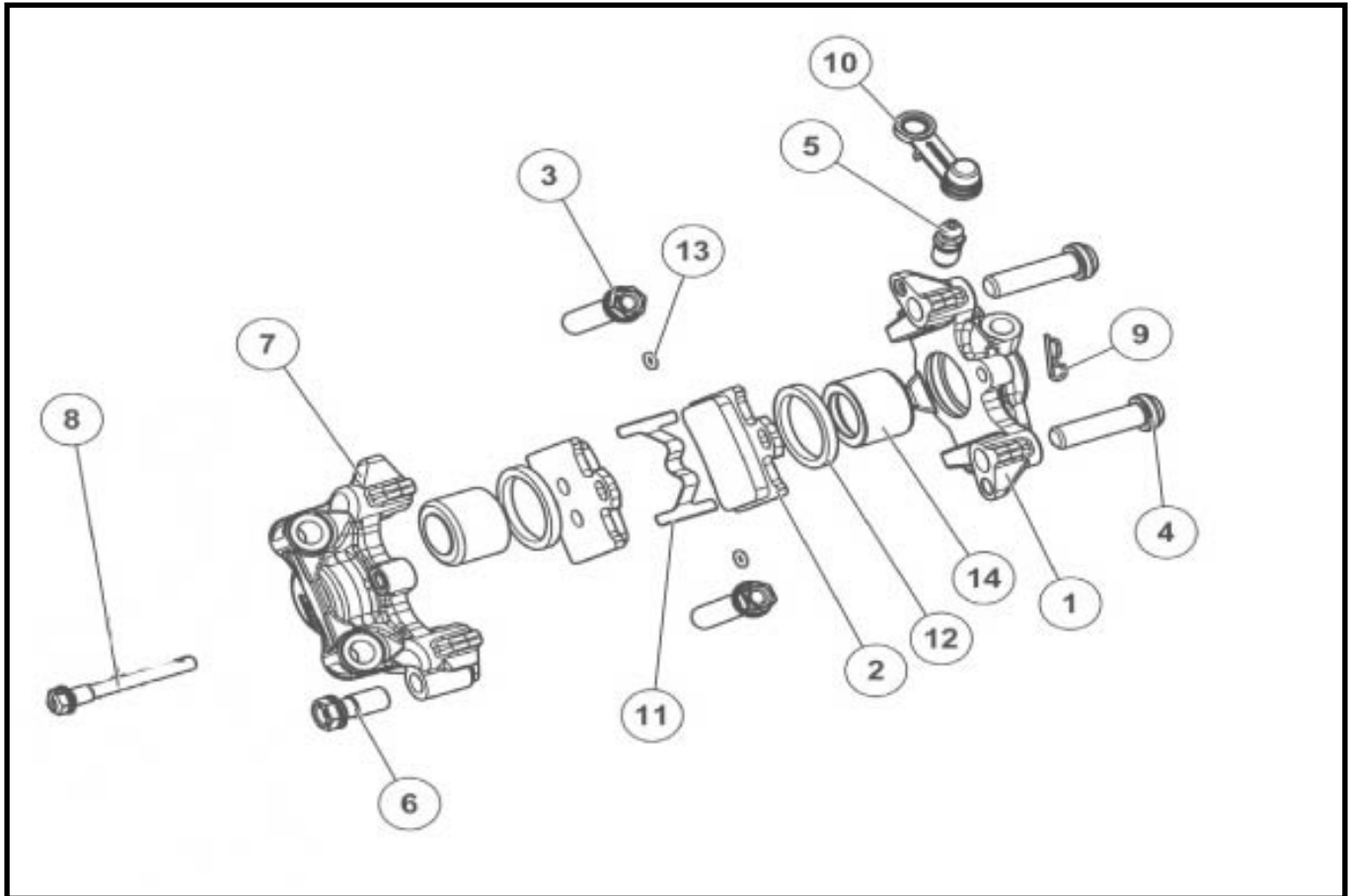
Code	Description	Position
01.IF.0061.L	Brake fluid cap	17-32-32-11
01.IF.0021.L	Complete brake lever	15-16-2-6-22-26-9-19
01.IF.0032.L	Brake lever	15
01.IF.0062.L	Kit piston D.10	1-13-20-28-18-5-25-23-30-3-8-14-24

Group	FRAME
Description	Front brake master cylinder - last model



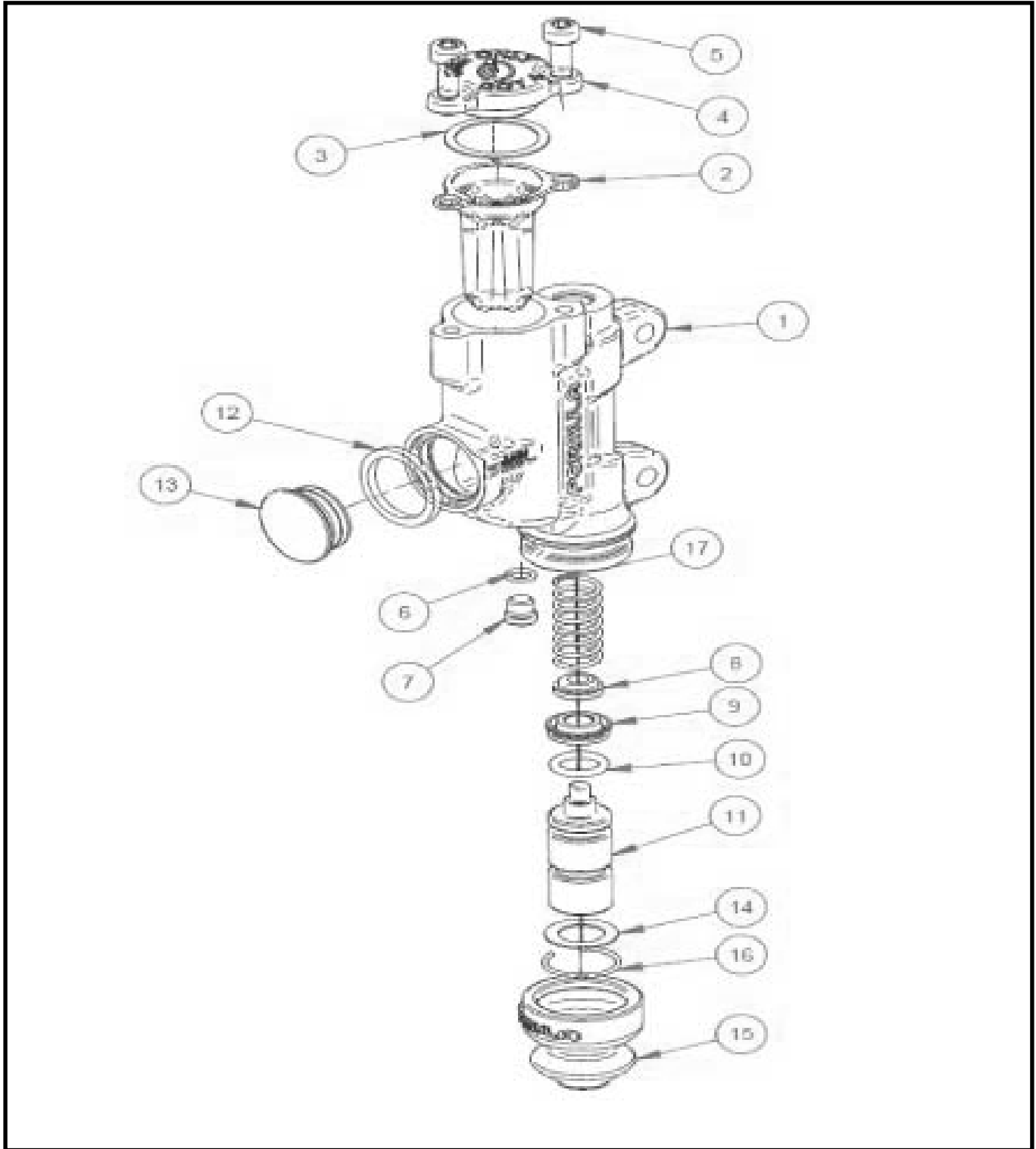
Code	Description	Position
01.IF.0081.L	Front brake master cylinder R - D.10	All the parts
01.IF.0082.L	Brake fluid cap R	9-25-25-14
01.IF.0088.L	Kit brake collar	26-26-8
01.IF.0087.L	Complete brake lever	13-1-6-7-19-22-23-12-15
01.IF.0084.L	Kit adjusting lever	7-1-6-19-22-23
01.IF.0085.L	Kit piston R - new	23-5-4-21-3-17-16
01.IF.0083.L	Kit lever fixing screw	24-11-12
01.IF.0086.L	Brake lever R - P	13
01.IF.0094.L	Right master cylinder bellow	20
01.IF.0096.L	Tube screw with O-ring	--

Group	FRAME
Description	Rear brake caliper



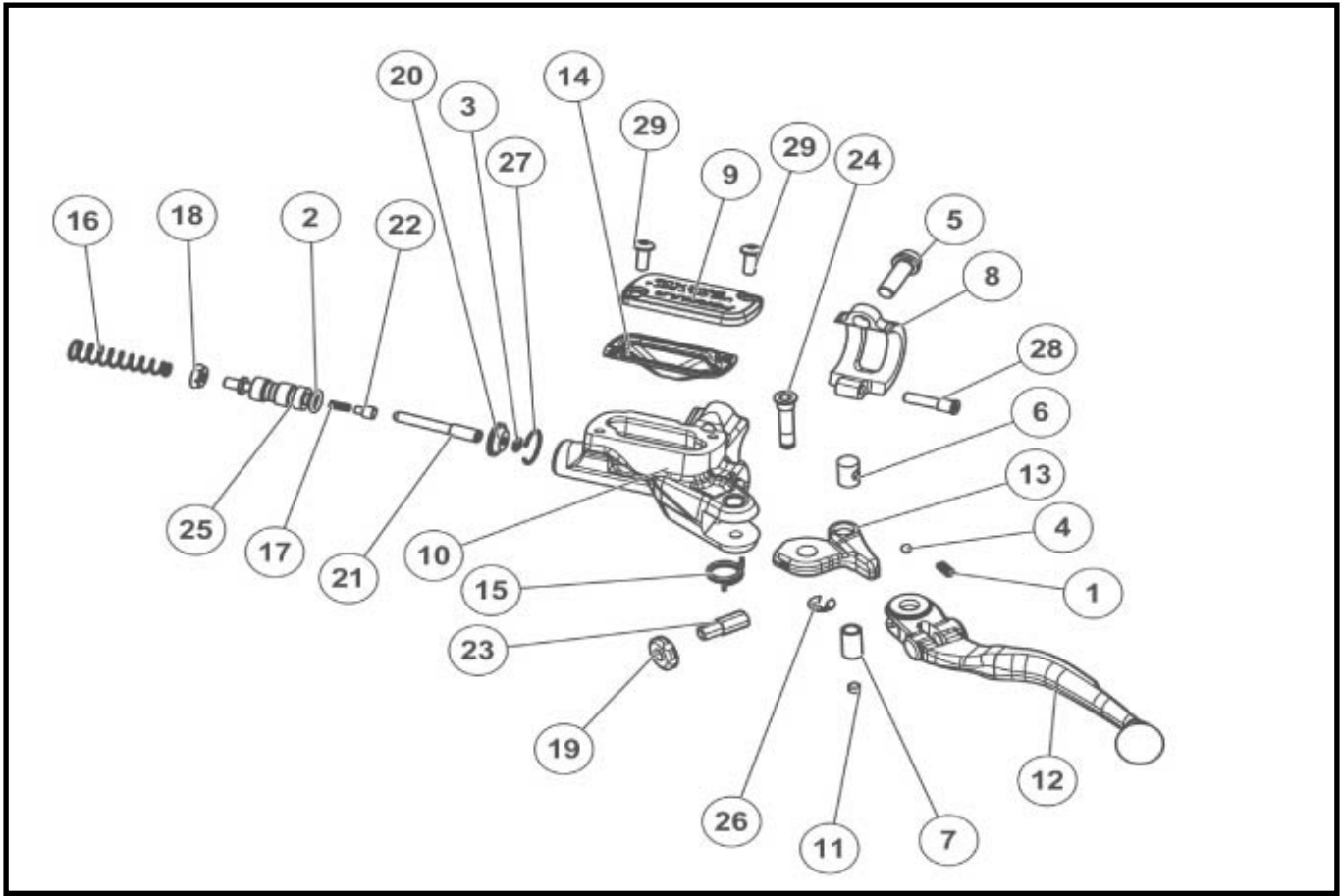
Code	Description	Position
01.IF.0007.G	Complete rear brake caliper	All the parts
01.IF.0023.L	Kit sintered rear pads	2-2
01.IF.0025.L	Kit organic rear pads mod. 110 A	2-2
01.IF.0073.L	Kit O-ring	12-12-13-13
01.IF.0074.L	Kit Pistons	14-14
01.IF.0072.L	Return pads spring	11
01.IF.0075.L	Kit pin pad screw	8-9
01.IF.0093.L	Kit bleed screw	5-10

Group	FRAME
Description	Rear brake master cylinder



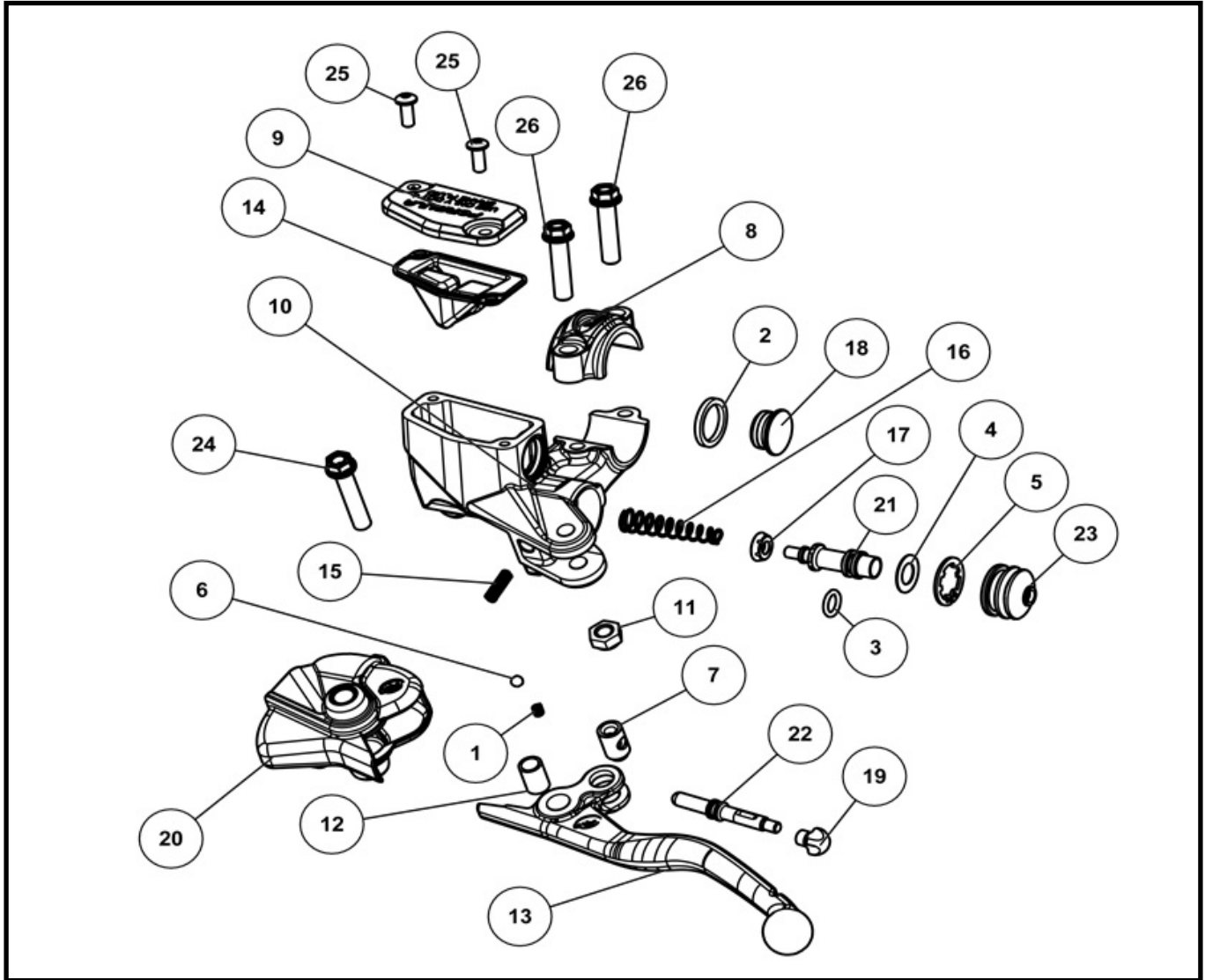
Code	Description	Position
01.IF.0066.L	Complete rear brake master cylinder	All the parts
01.IF.0067.L	Kit membrane	2-3
01.IF.0068.L	Kit piston	15-16-14-11-10-9-8-17

Group	FRAME
Description	Rear brake master cylinder mod. 110 A - first model



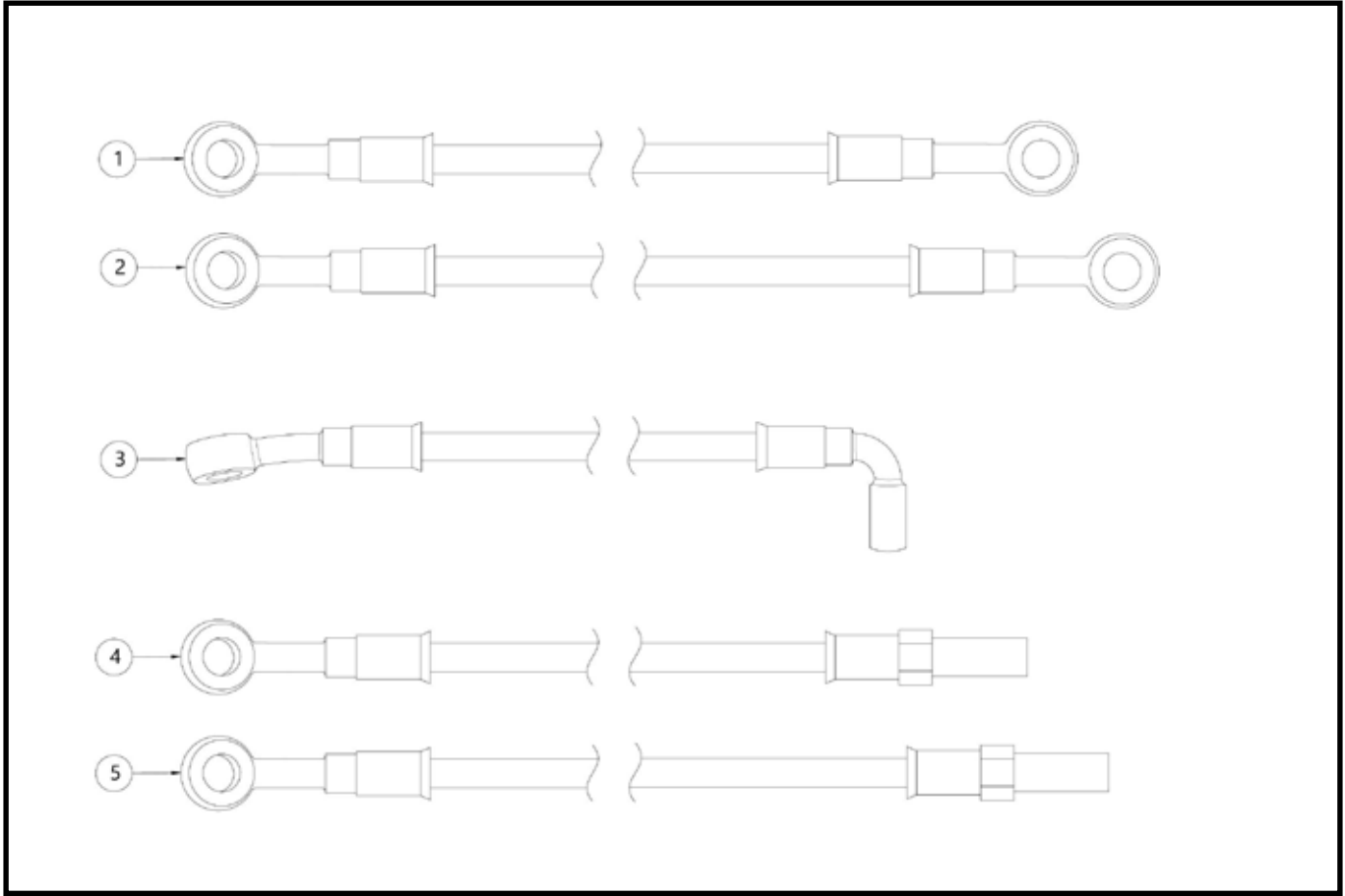
Code	Description	Position
01.IF.0064.L	Brake fluid cap	14-9-29-29
01.IF.0021.L	Complete brake lever	12-1-4-13-7-19-23-15
01.IF.0065.L	Kit piston D. 9,5	16-18-25-2-17-22-20-3-27-6-11-21
01.IF.0032.L	Brake lever	12

Group	FRAME
Description	Rear brake master cylinder mod. 110 A - last model



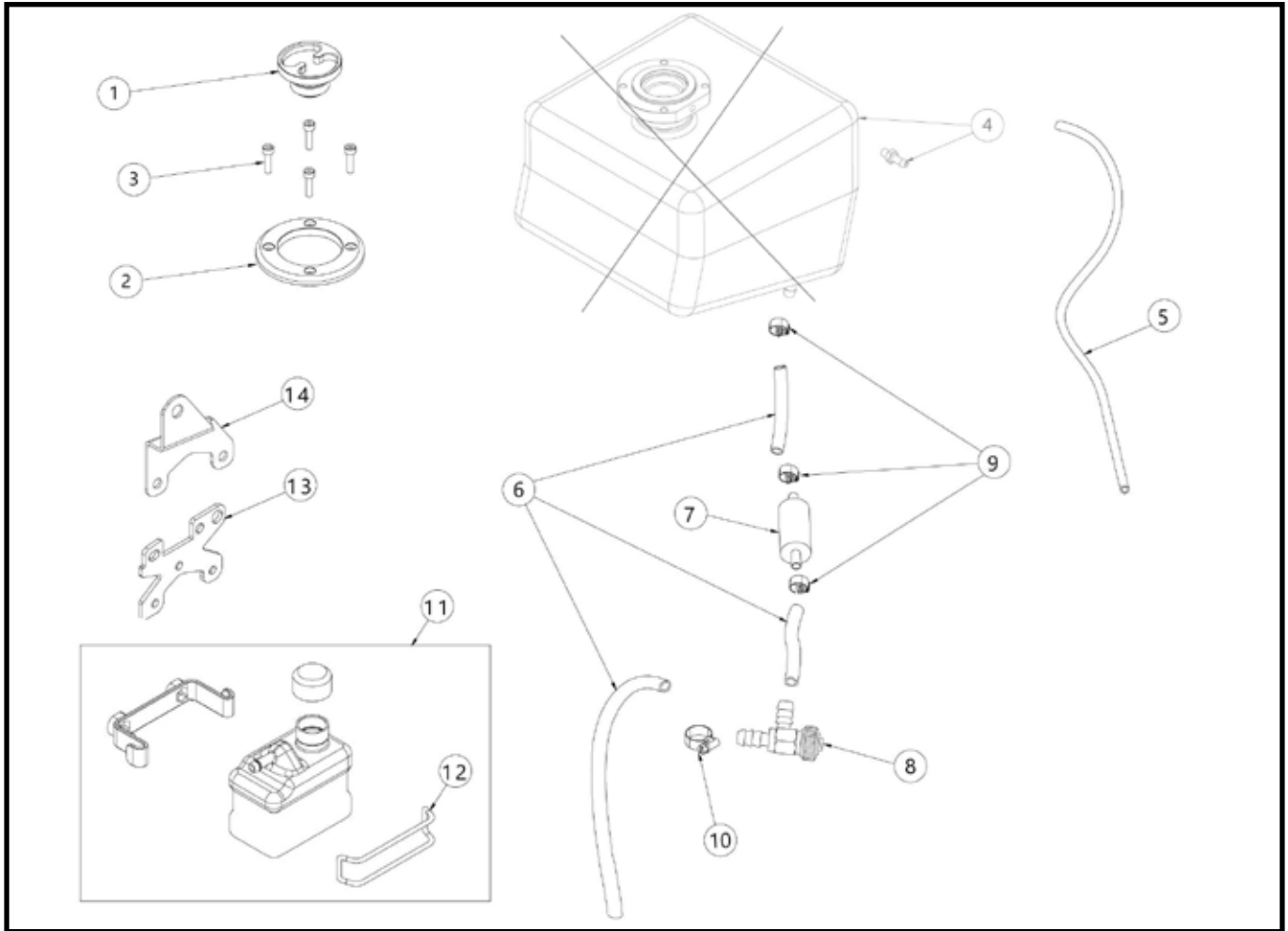
Code	Description	Position
01.IF.0089.L	Complete rear brake master cylinder	All the parts
01.IF.0090.L	Brake fluid cap	9-25-25-14
01.IF.0088.L	Kit brake collar	26-26-8
01.IF.0092.L	Complete brake lever L - NP	13-1-6-7-19-22-23-12-15
01.IF.0084.L	Kit adjusting lever	7-1-6-19-22-23
01.IF.0085.L	Kit piston	23-5-4-21-3-17-16
01.IF.0083.L	Kit lever fixing screw	24-11-12
01.IF.0091.L	Brake lever L - NP	13
01.IF.0095.L	Bellow L	20
01.IF.0096.L	Tube screw with O-ring	--

Group	FRAME
Description	Brake system tubes



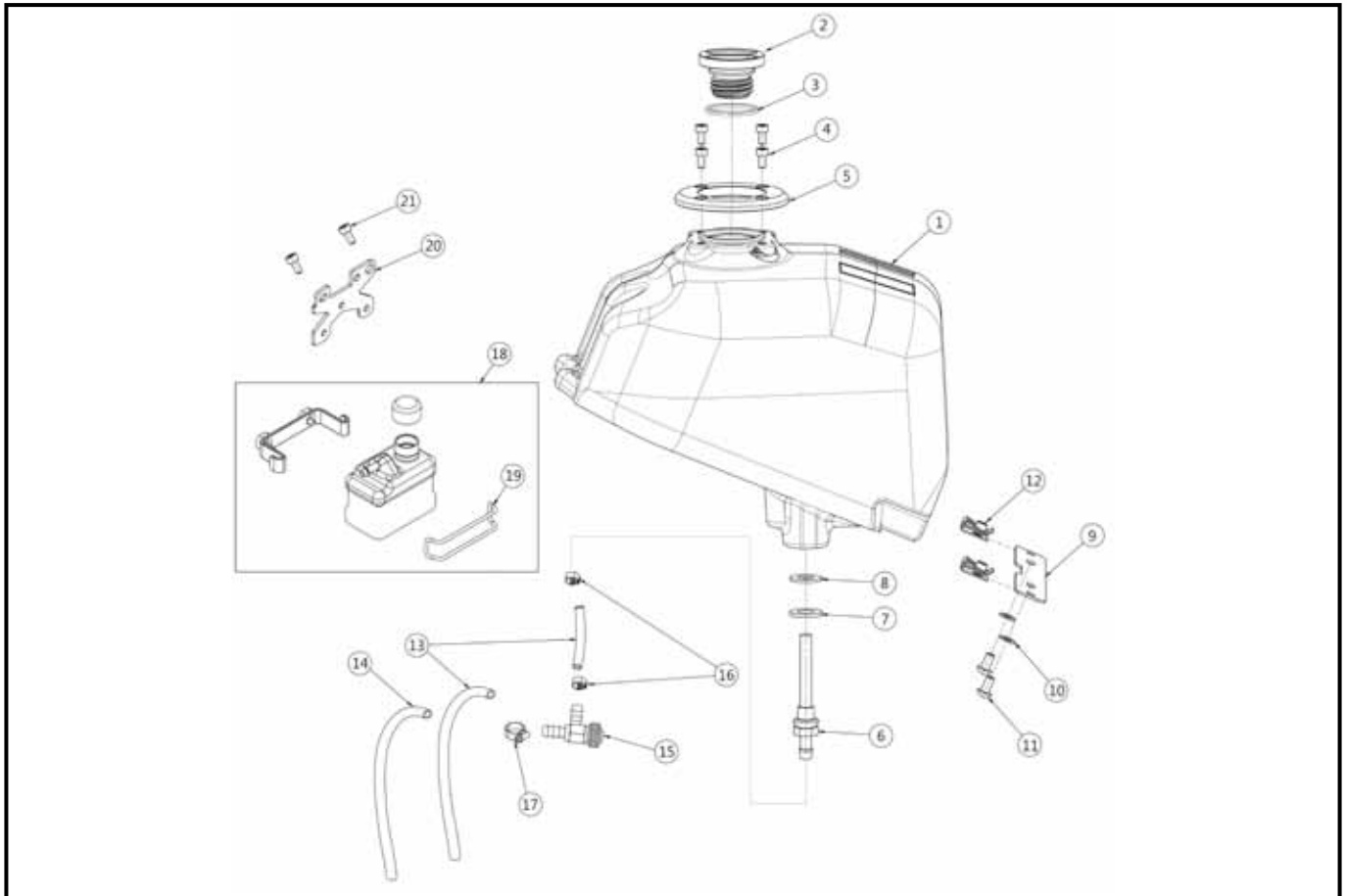
N.	Code	Description	Q.ty
1	01.IF.0080.L	Front brake tube - last model	1
2	01.IF.0079.L	Rear brake tube mod. 110 A - last model	1
3	01.IF.0077.L	Rear brake tube - shift models	1
4	01.IF.0076.L	Front brake tube - first model	1
5	01.IF.0078.L	Front brake tube mod. 110 A - first model	1

Group	FRAME
Description	Fuel tank and recovery tanks (until 2016)



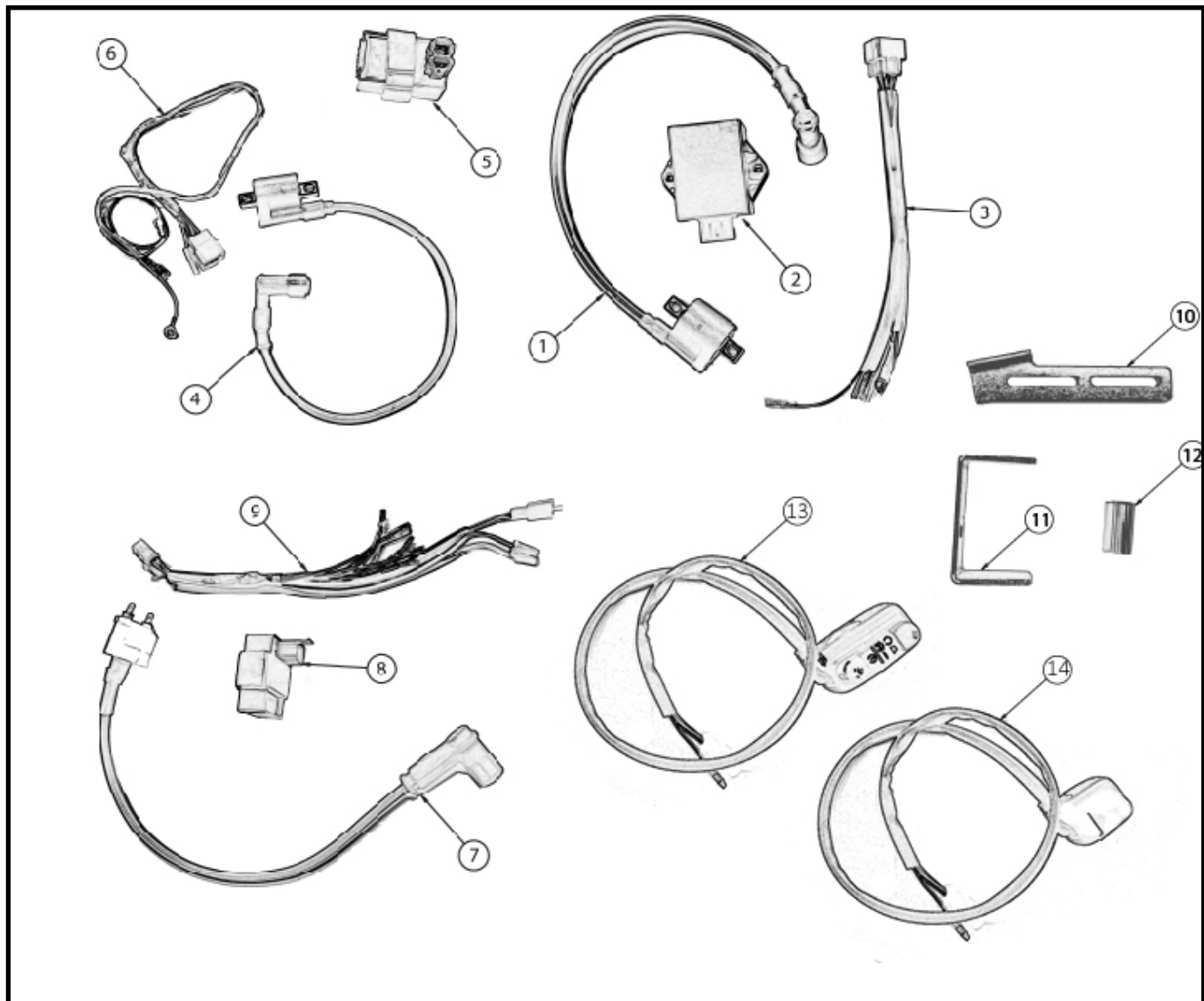
N.	Code	Description	Q.ty
1	01.SE.0006.L	Fuel tank cap	1
2	01.SE.0007.L	Tank ring nut	1
3	01.SE.0020.L	Screw TCEI M4x16 INOX	1
4	01.SE.0010.L	Fuel vent	1
5	01.SE.0015.L	Fuel vent tube D. 4x8 (1 metro)	1
6	01.SE.0014.L	Fuel tube D. 6x11 (1 meter)	1
7	01.SE.0012.L	Fuel filter	1
8	01.SE.0011.L	Fuel tap	1
9	01.SE.0034.L	Band Clic	1
10	01.SE.0030.L	Tighten tube band	1
11	01.SE.0029.L	Complete recovery tank	1
12	01.SE.0036.L	Recovery tanks rubber band	1
13	01.AS.0011.L	Recovery tank support	1
14	01.SE.0101.L	Recovery tank support - mod. 190 Daytona	1

Group	FRAME
Description	Fuel tank and recovery tanks - my 2017



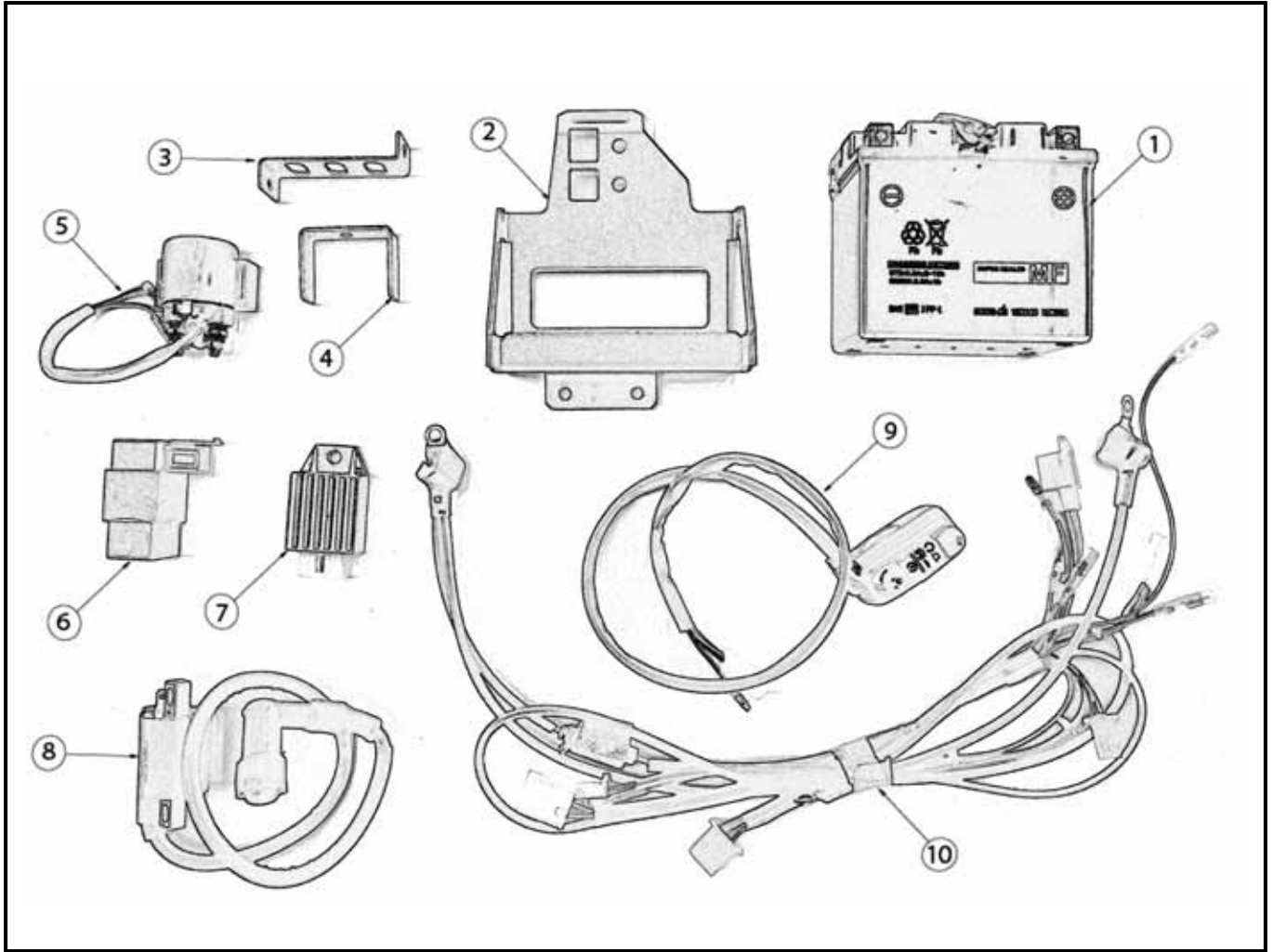
N.	Code	Description	Q.ty
1	01.SE.0201.L	Plastic fuel tank	1
2	01.SE.0204.L	Fuel tank cap	1
3	01.SE.0207.L	Fuel tank cap O-Ring VITON 4106	1
4	01.SE.0208.L	Screw TCEI M4x16 INOX	1
5	01.SE.0007.L	Fuel tank ring nut	1
6	01.SE.0203.L	Vertical link M10x1 (with filter)	1
7	01.AM.0006.L	Washer M10 D.10.5x20x2	1
8	01.SE.0209.L	Fuel tank gasket VITON 10x20x1.5	1
9	01.SE.0202.L	Fuel tank support	1
10	01.AS.0013.L	Washer M5	1
11	01.AS.0012.L	Screw TBEI M5x10	1
12	01.SE.0013.L	Clip M5	1
13	01.SE.0014.L	Fuel tube D.6x11 (1 metro)	1
14	01.SE.0015.L	Fuel tube D.4x8 (1 metro)	1
15	01.SE.0011.L	Fuel tap	1
16	01.SE.0034.L	Band Clic	1
17	01.SE.0030.L	Tighten tube band	1
18	01.SE.0029.L	Complete recovery tank	1
19	01.SE.0036.L	Recovery tanks rubber band	1
20	01.AS.0011.L	Recovery tank support	1
21	01.SE.0025.L	Screw TCEI M6x12 rib UNI 7984	1

Group	ELECTRIC SYSTEM
Description	Electric system - shift models



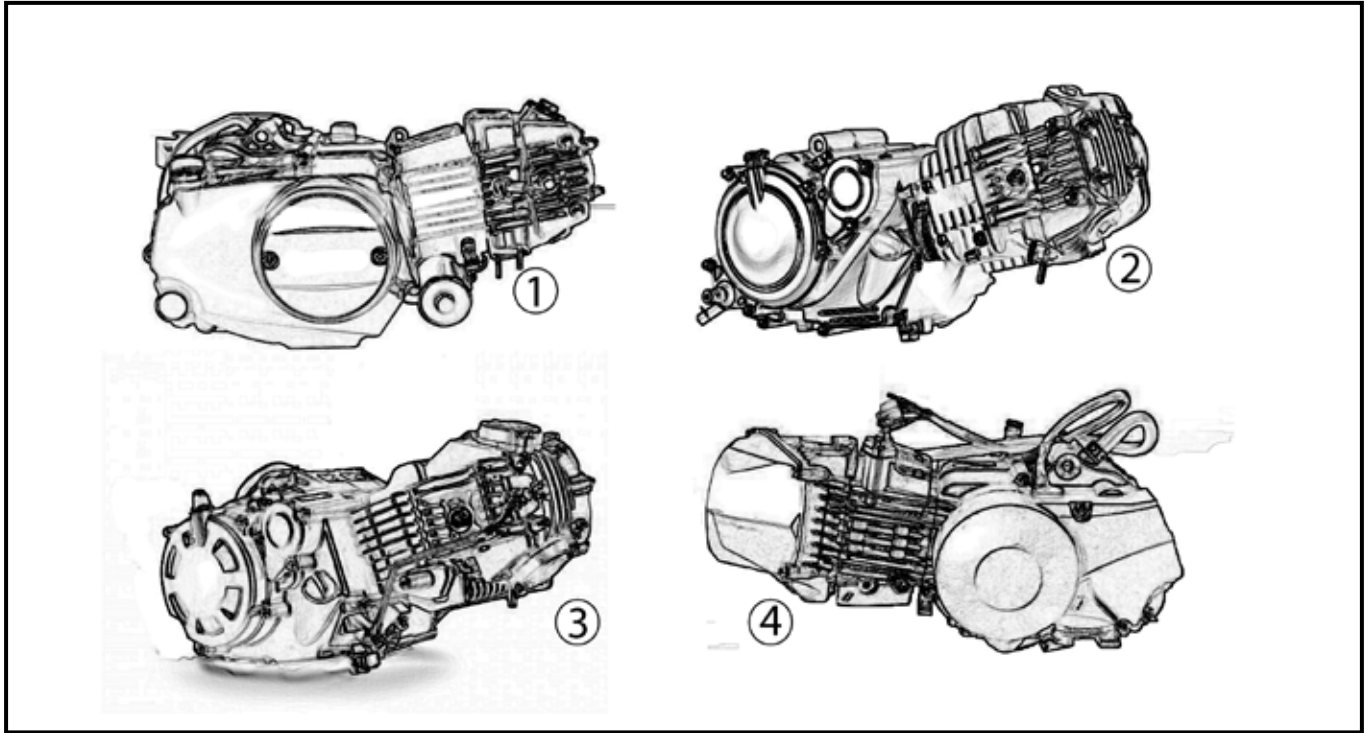
N.	Code	Description	Q.ty
1	01.MO.0203.L	Ignition coil mod. 110 4S and 160 4S	1
2	01.MO.0202.L	C.D.I. - mod. ZS 110 4S and 160 4S	1
3	01.MO.0204.L	Wire harness mod. ZS 110 4S and 160 4S	1
4	01.SD.1105.L	Ignition coil - mod. 190 Daytona	1
5	01.SD.1104.L	C.D.I. - mod. 190 Daytona	1
6	01.SD.1111.L	Wire harness - mod. 190 Daytona	1
7	01.MO.0004.G	Ignition coil - mod. 110 A and 160 (until 2016)	1
8	01.MO.0005.G	C.D.I. - mod. 110 A and 160 (until 2016)	1
9	01.IE.0001.L	Wire harness - mod. 110 A and 160 (until 2016)	1
10	01.TE.0023.L	C.D.I. support - mod. 190 Daytona	1
11	01.TE.0022.L	C.D.I. support - mod. ZS	1
12	01.SE.0031.L	Ignition coil spacer	1
13	01.AE.0014.L	Start / Kill Switch (110A, 190 e 212)	1
14	01.IE.0002.L	Kill Switch (110 4S e 160 4S)	1

Group	ELECTRIC SYSTEM
Description	Electric system - mod. 110 A



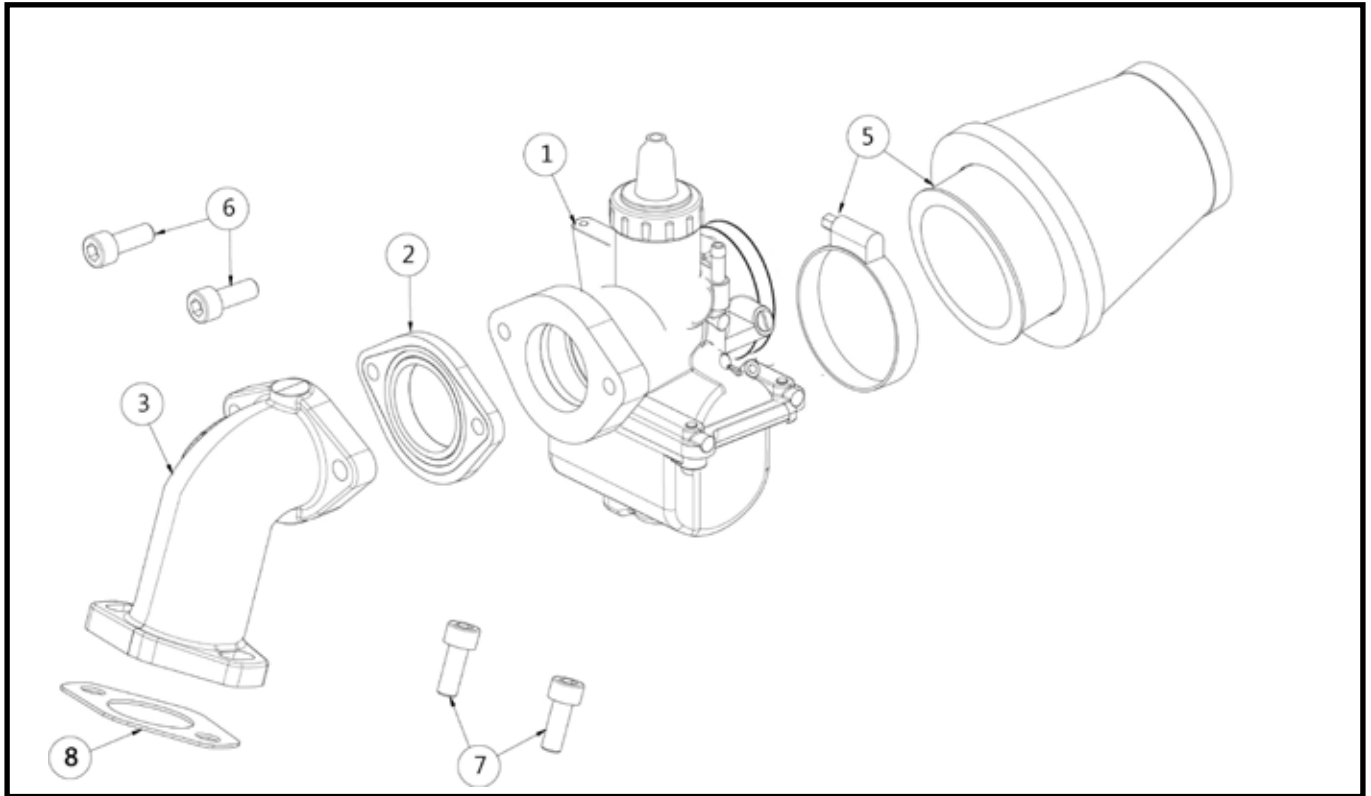
N.	Code	Description	Q.ty
1	01.AE.0004.L	Battery 12 V CTZ7S - BS 6Ah 130x 70 x 105 cm	1
2	01.AE.0002.L	Battery support	1
3	01.AE.0003.L	Battery fixing	1
4	01.AE.0010.L	Relay support	1
5	01.SB.1404.L	Relay	1
6	01.SB.1402.L	Rectifier	1
7	01.SB.1403.L	C.D.I. - mod. 110 A from my 2017	1
8	01.SB.1401.L	Ignition coil - mod. 110 A from my 2017	1
9	01.AE.0014.L	Electric start device 0038AB.9A.04-02	1
10	01.AE.0006.L	Wire harness - mod. 110 A from my 2017	1

Group	ENGINE
Description	Complete engines



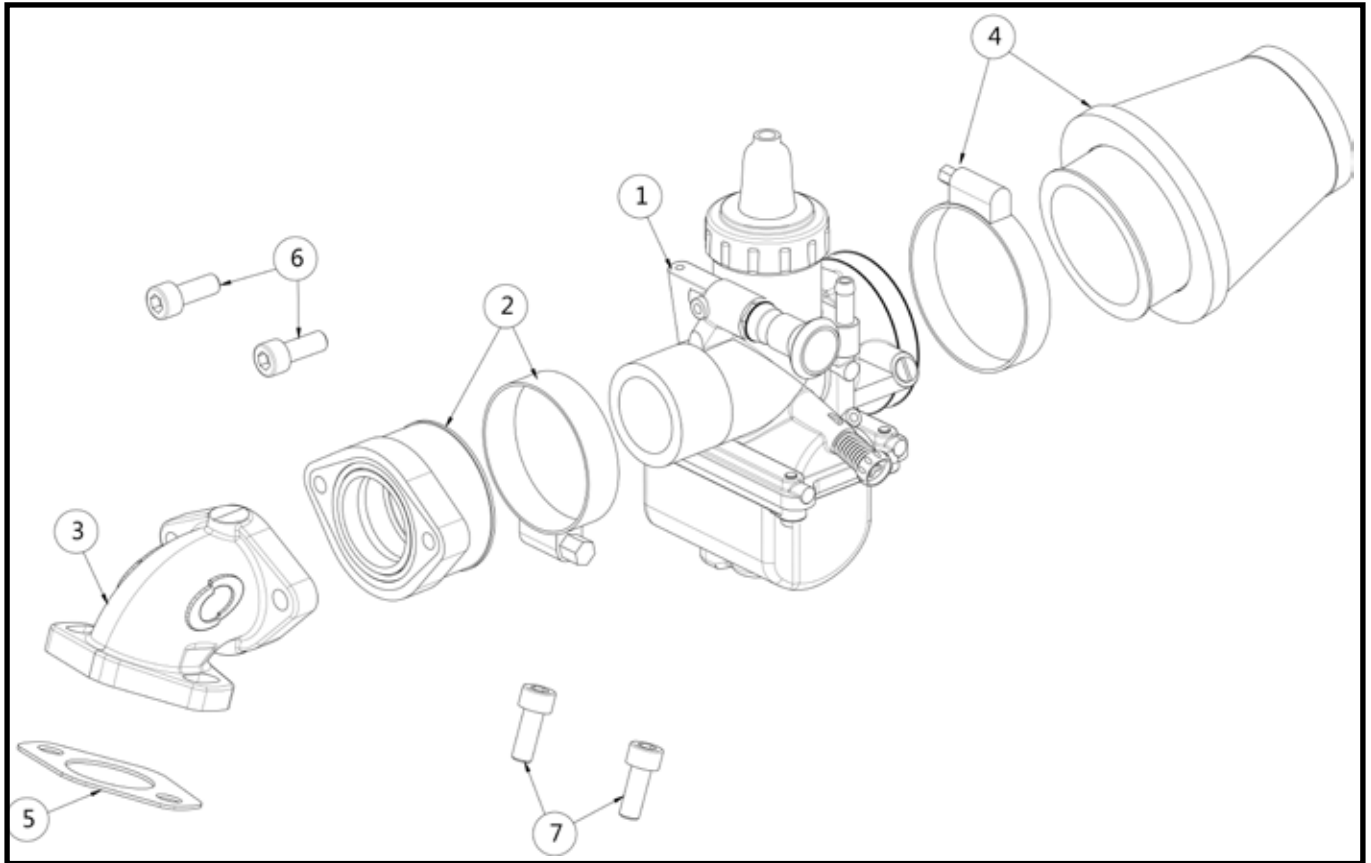
N.	Code	Description	Q.ty
1	01.MO.0300.L	Engine ZS 110 A - sealed OHVALE	1
2	01.MO.0200.L	Engine ZS 110 4S - sealed OHVALE	1
3	01.MO.0052.L	Engine ZS 160 4S - sealed OHVALE	1
4	01.MO.0100.L	Engine 190 DAYTONA - sealed OHVALE	1

Group	ENGINE
Description	Intake system mod. 110 A - my 2017



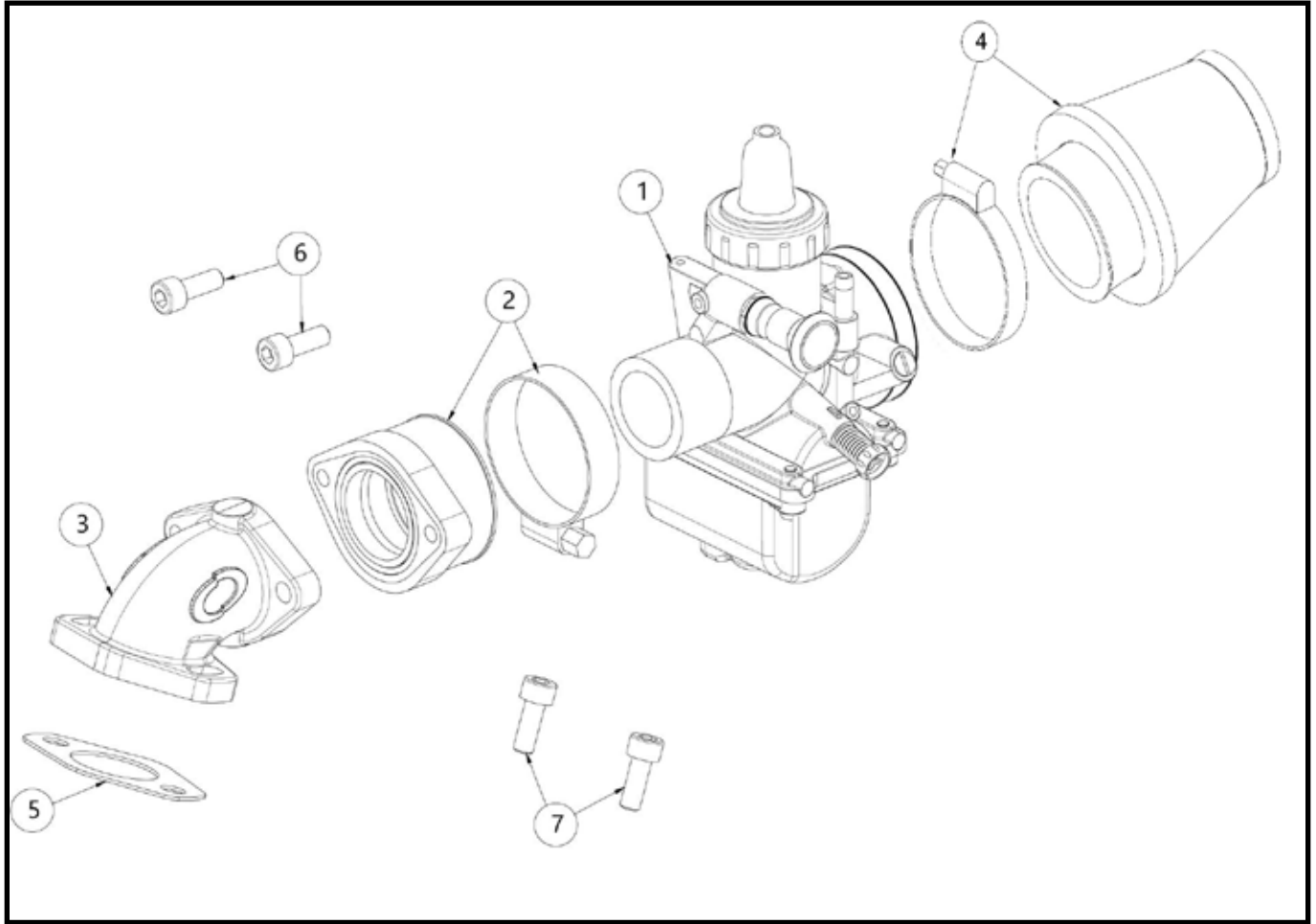
N.	Code	Description	Q.ty
1	01.AS.0020.L	Carburetor PZ 19 #6	1
2	01.SL.0212.L	Rubber link inlet pipe - carburetor	1
3	01.AS.0202.L	Inlet pipe ZS FA6N	1
5	01.AS.0015.L	Mesh filter D.35	1
6	01.IF.0014.L	Screw TCEI M6x16	1
7	01.PE.0017.L	Screw TCEI M6x20	1
8	01.SL.0207.L	Inlet pipe gasket	1

Group	ENGINE
Description	Intake system mod. 110 4S - my 2017



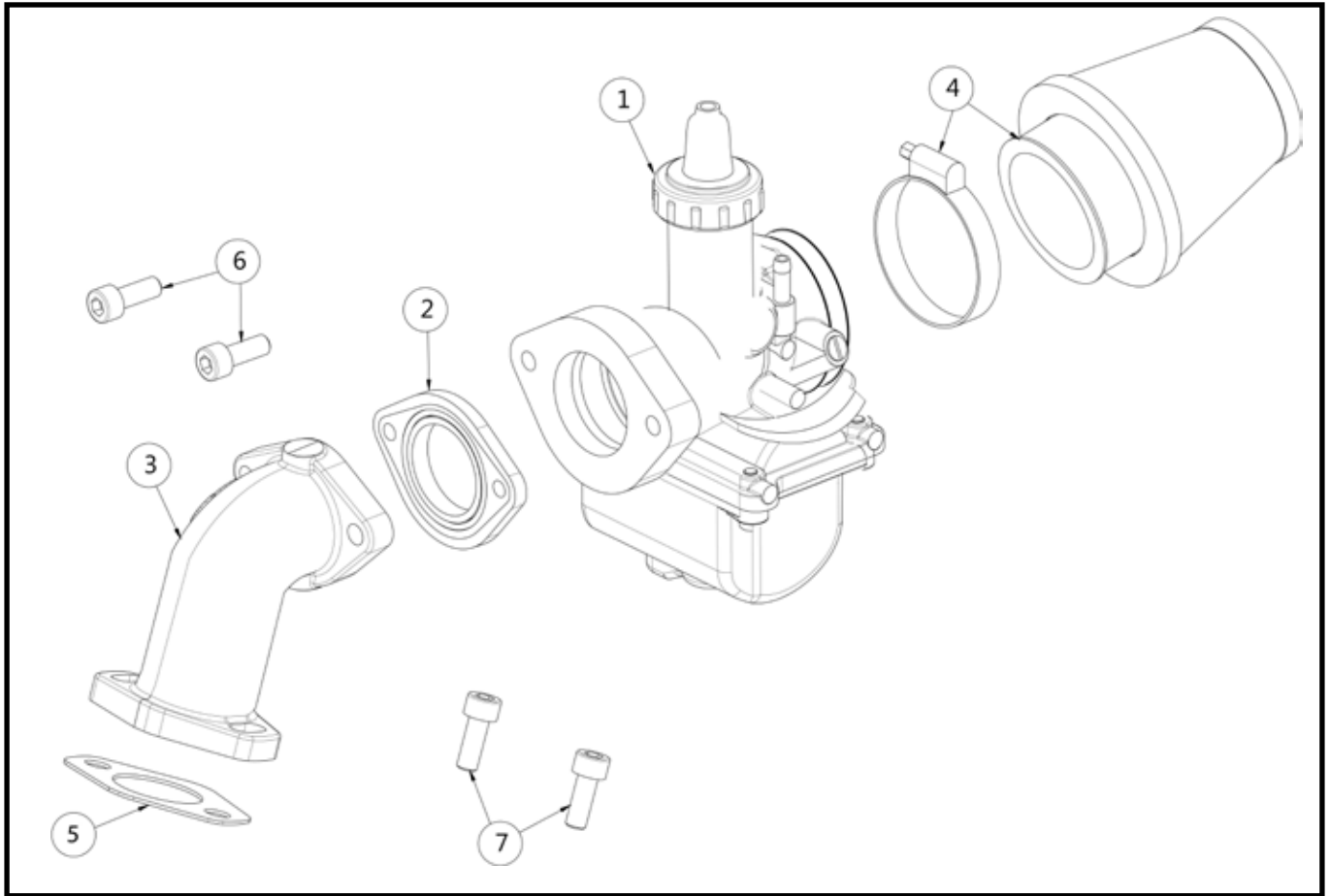
N.	Code	Description	Q.ty
1	01.AS.0001.L	Carburetor Mikuni VM 24	1
2	01.AS.0002.L	Rubber link inlet pipe - carburetor	1
3	01.AS.0005.L	Aluminum inlet pipe - mod. 110 4S and 160 old	1
4	01.AS.0016.L	Mesh filter D.42	1
5	01.MO.0003.L	Inlet pipe gasket	1
6	01.IF.0014.L	Screw TCEI M6x16	1
7	01.PE.0017.L	Screw TCEI M6x20	1

Group	ENGINE
Description	Intake system - mod.160 (until 2016)



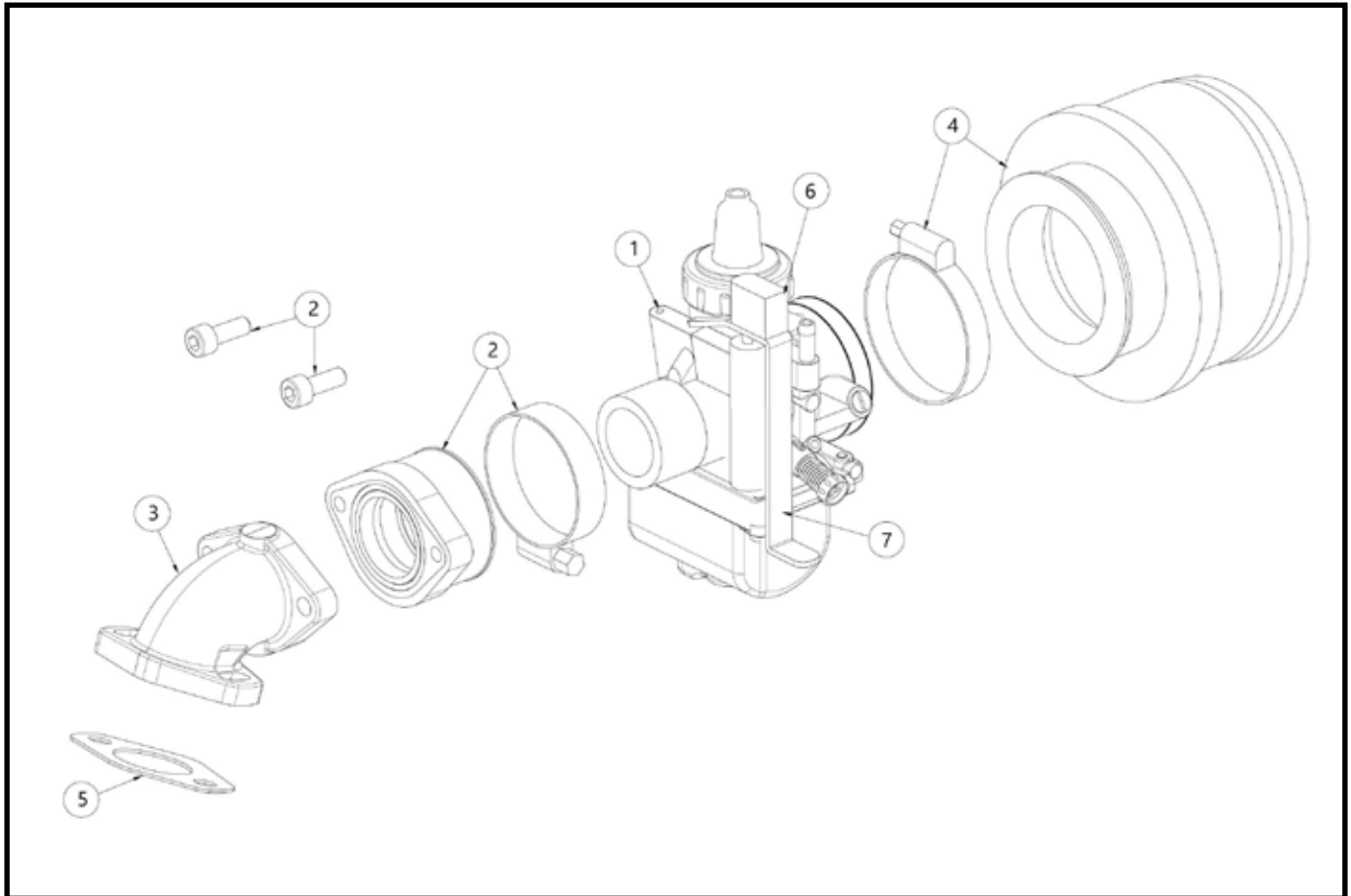
N.	Code	Description	Q.ty
1	01.AS.0001.L	Carburetor Mikuni VM 24	1
2	01.AS.0002.L	Rubber link inlet pipe - carburetor	1
3	01.AS.0005.L	Aluminum inlet pipe - mod. 110 4S and 160 old	1
4	01.AS.0016.L	Mesh filter D.42	1
5	01.MO.0003.L	Inlet pipe gasket	1
6	01.IF.0014.L	Screw TCEI M6x16	1
7	01.PE.0017.L	Screw TCEI M6x20	1

Group	ENGINE
Description	Intake system mod.160 4S - my 2017



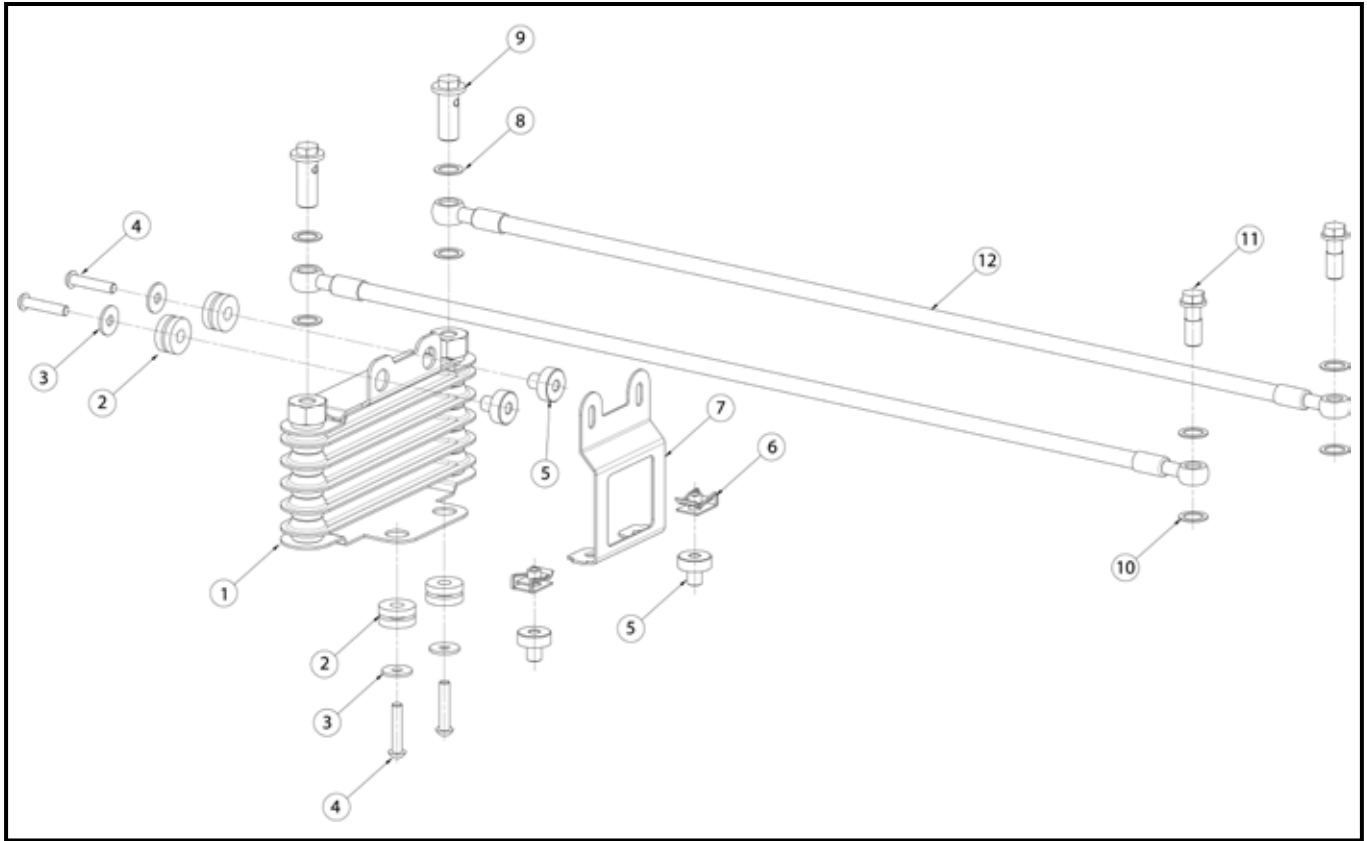
N.	Code	Description	Q.ty
1	01.AS.0050.L	Carburetor PZ 27	1
2	01.AS.0053.L	Flangia carburatore/collettore 160 4S	1
3	01.AS.0051.L	Aluminum inlet pipe - mod. 160 4S	1
4	01.AS.0052.L	Mesh filter D.38	1
5	01.MO.0003.L	Inlet pipe gasket	1
6	01.IF.0014.L	Screw TCEI M6x16	1
7	01.PE.0017.L	Screw TCEI M6x20	1

Group	ENGINE
Description	Intake system - mod.190 Daytona



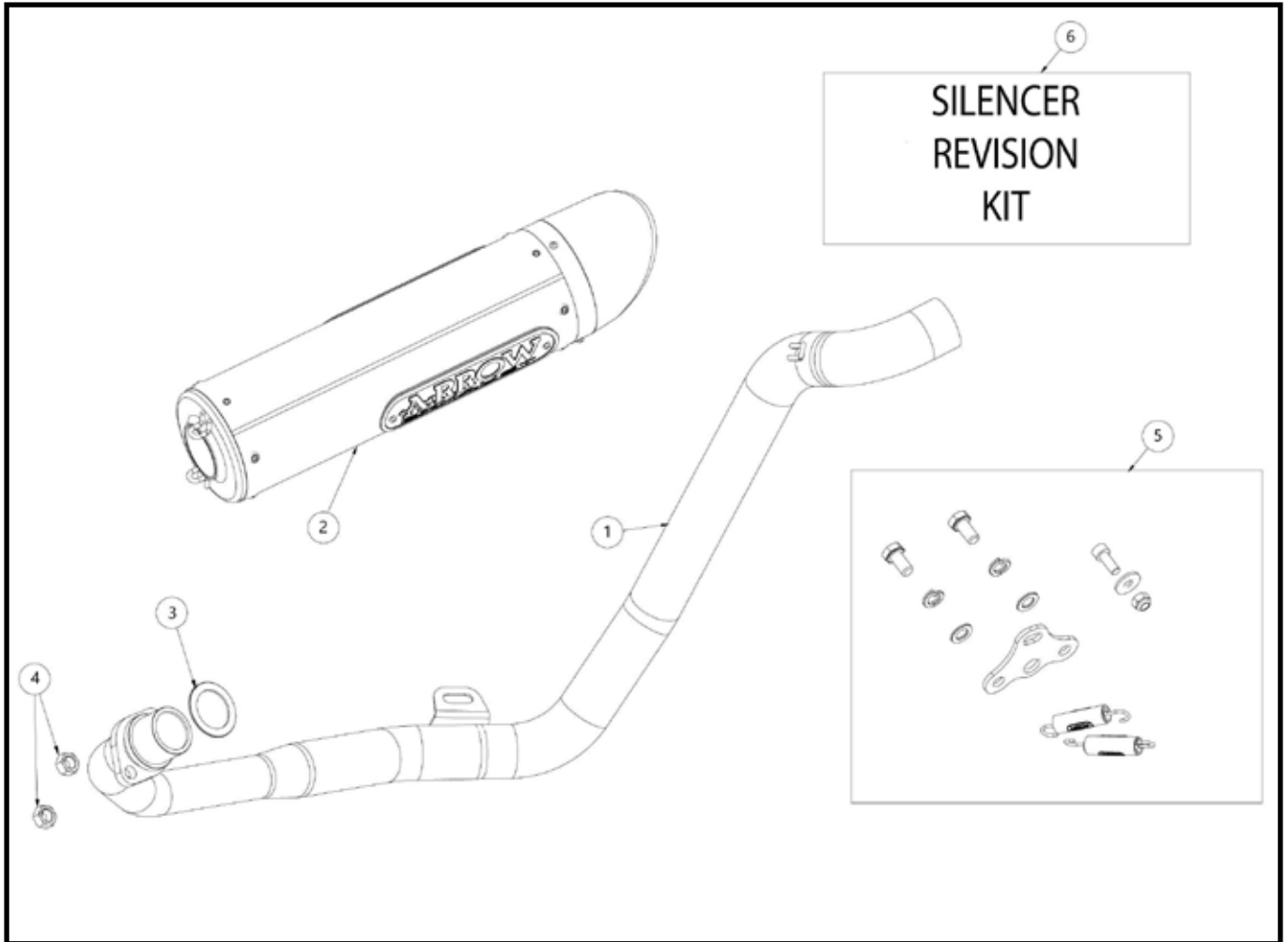
N.	Code	Description	Q.ty
1	01.AS.0100.L	Carburetor Keihin PE 28	1
2	01.AS.0102.L	Rubber link inlet pipe - carburetor - mod. 190 Dayt.	1
3	01.SD.0115.L	Aluminum inlet pipe - mod. 190 Daytona	1
4	01.AS.0103.L	Sponge filter D.49	1
5	01.SD.0112.L	Inlet pipe gasket - mod. 190 Daytona	1
6	01.AS.0104.L	Choke lever support - mod. 190 Daytona	1
7	01.AS.0105.L	Choke lever - mod. 190 Daytona	1

Group	ENGINE
Description	Oil cooling system



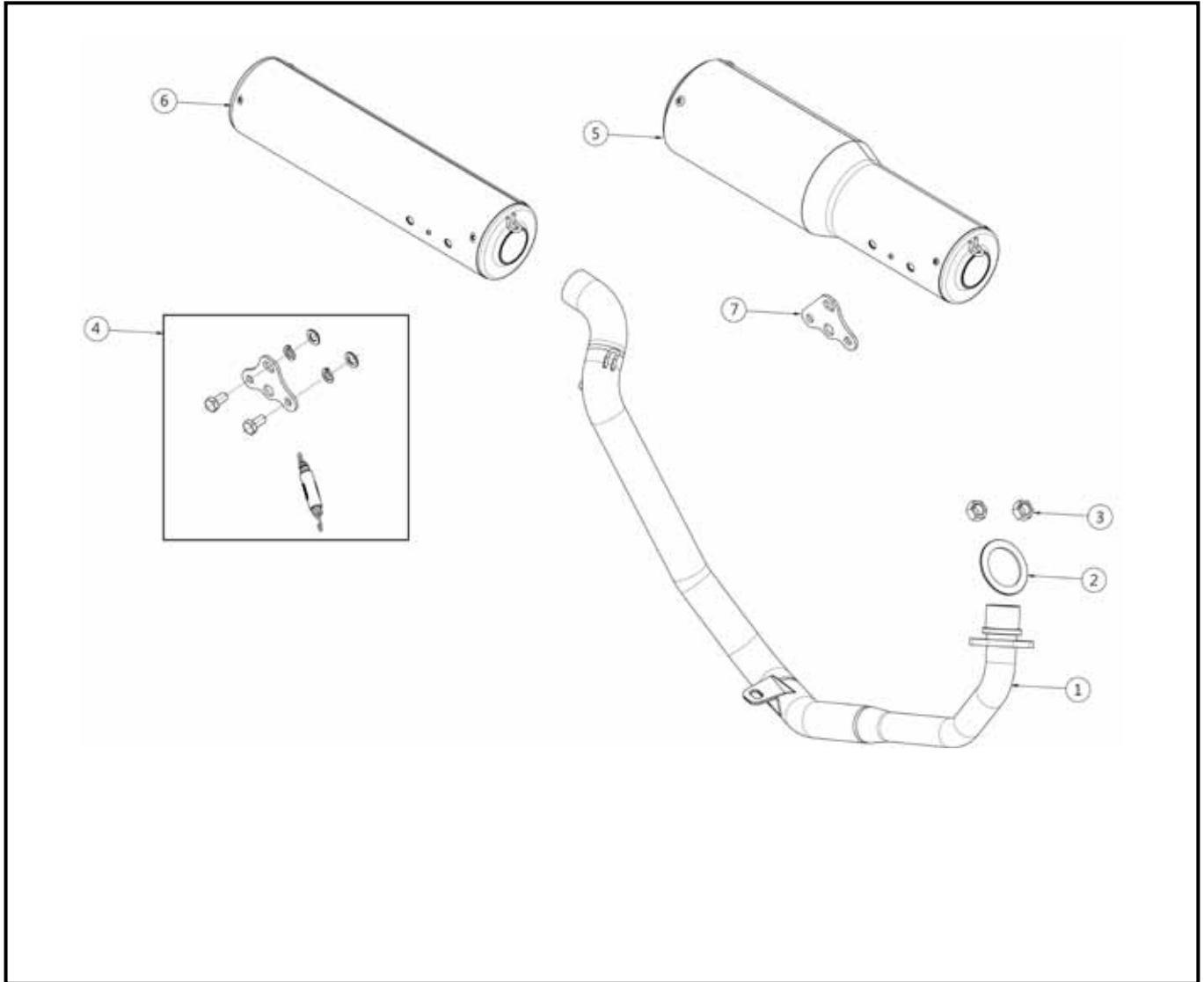
N.	Code	Description	Q.ty
1	01.OT.0115.L	Oil radiator	1
2	01.OT.0116.L	Radiator anti-vibration	1
3	01.SC.0017.L	Large washer M6	1
4	01.OT.0108.L	Screw TBEI M6x30	1
5	01.OT.0103.L	Radiator spacer	1
6	01.SC.0012.L	Clip M6	1
7	01.OT.0102.L	Oil radiator support	1
8	01.OT.0106.L	Copper washer 12x18x1.5	1
9	01.OT.0107.L	Drilled screw M12x1.25	1
10	01.OT.0117.L	Copper washer M8	1
10	01.OT.0113.L	Copper washer 10x16x1.5	1
11	01.OT.0118.L	Drilled screw M8	1
11	01.OT.0114.L	Drilled screw M10x1.25	1
12	01.OT.0111.L	Radiator tube - mod. 110 4S and 190 Daytona	1
12	01.OT.0105.L	Radiator tube 160 4S	1

Group	ENGINE
Description	Exhaust system (until 2016)



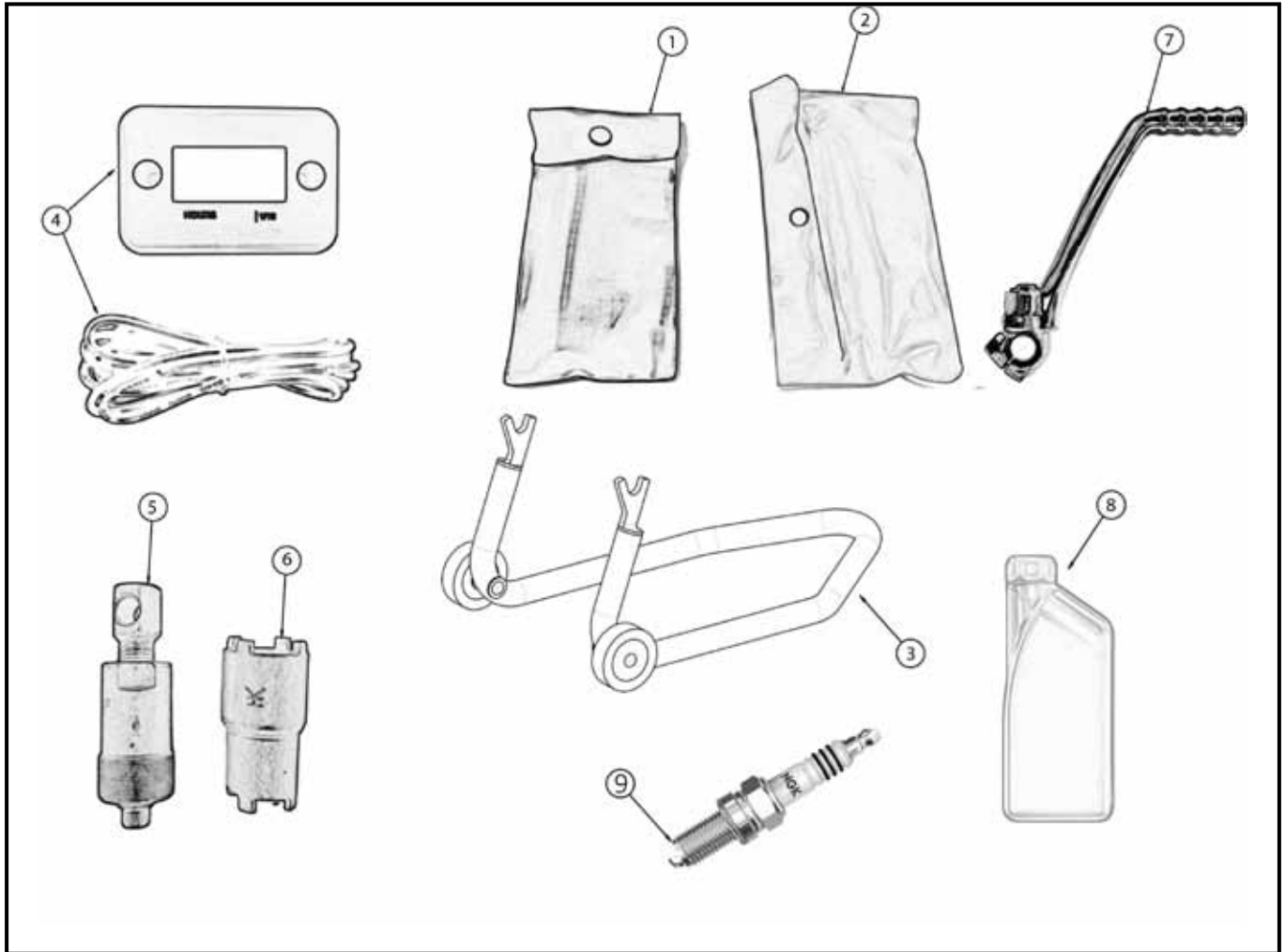
N.	Code	Description	Q.ty
1	01.SC.0002.L	Outlet pipe INOX	1
2	01.SC.0004.L	Silencer (until 2016)	1
3	01.SC.0015.L	Copper washer D.26x32x1.5	1
4	01.SC.0011.L	Flange nut M6	1
5	01.SC.0003.L	Kit exhaust fixing	1
6	01.SC.0020.L	Overhaul kit for Arrow silencer - till my2016	1

Group	ENGINE
Description	Exhaust system - my 2017



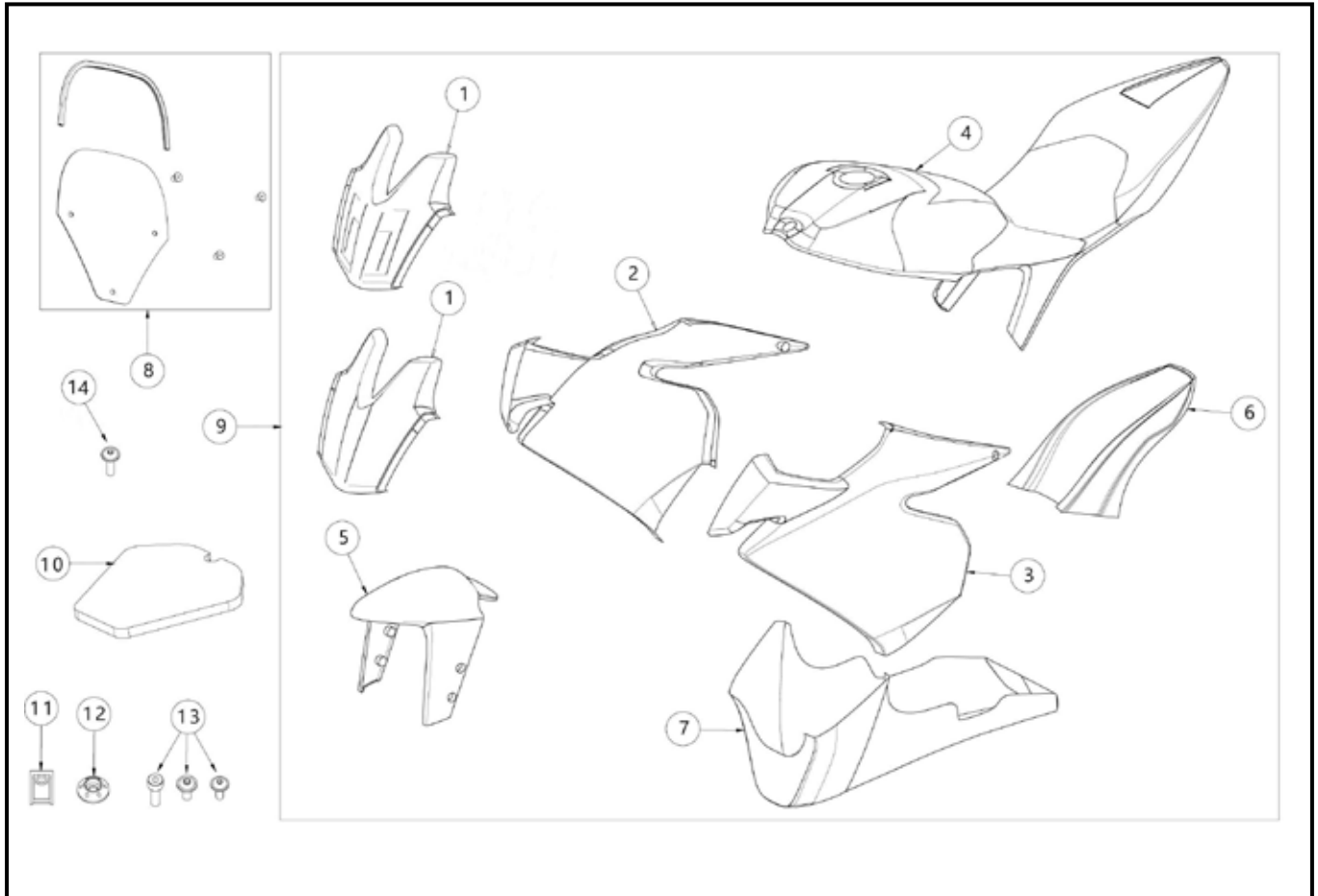
N.	Code	Description	Q.ty
1	01.SC.0002.L	Outlet pipe INOX	1
2	01.SC.0011.L	Flange nut M6	1
3	01.SC.0015.L	Copper washer D.26x32x1.5	1
4	01.SC.0003.L	Kit exhaust fixing	1
5	01.SC.0023.L	Silencer Evo (190 e 212 Daytona)	1
6	01.SC.0024.L	Silencer (110A, 110 4S e 160 4S)	1
7	01.SC.0020.L	Silencer support Daytona (dal my2018)	1
1+4+6	01.SC.0021.L	Complete exhaust system - (110A, 110 4S and 160 4S)	1
1+4+7+6	01.SC.0022.L	Complete exhaust system - (190 and 212 Daytona)	1
	01.SC.0026.L	Overhaul kit for Arrow silencer (from my 2017)	1
	01.SC.0025.L	Overhaul kit for Arrow silencer EVO (from my 2017)	1

Group	OTHER COMPONENTS
Description	Hour meter, tools, stand and kick start lever



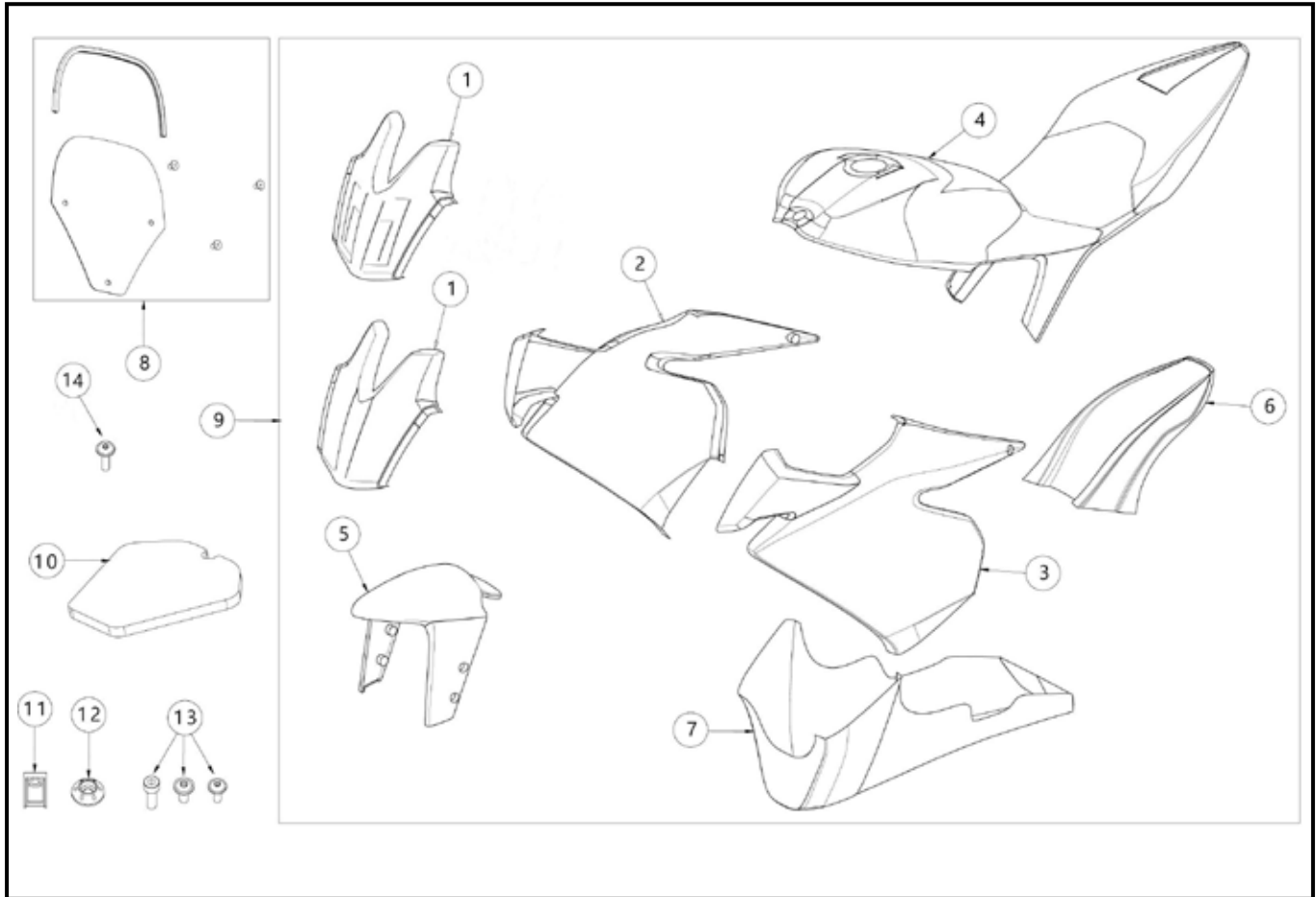
N.	Code	Description	Q.ty
1	01.CE.0004.L	Tools kit	1
2	01.CE.0006.L	Tools kit Daytona	1
3	01.CV.0007.L	Rear stand	1
4	01.MO.0107.L	Hour meter	1
5	01.OT.0404.L	Flywheel puller	1
6	01.OT.0405.L	Tool for clutch ring nut	1
7	01.MO.0205.L	Kick start lever HQ 14mm - 110 4S	1
7	01.MO.0110.L	Kick start lever HQ 16mm - m. 190 and 160	1
8	01.MO.0021.L	10W40 Motor oil	1
9	01.MO.0016.L	Spark plug NGK CR7HSA - (110A, 110 4S and 160 4S)	1
9	01.MO.0036.L	Spark plug NGK CR8HSA - (110A, 110 4S and 160 4S)	1
9	01.MO.0101.L	Spark plug NGK ER9EH - (190 and 212 Daytona)	1

Group	FAIRINGS
Description	Unpainted fairings



N.	Code	Description	Q.ty
1	01.CA.0001.G	Front fairing - unpainted	1
1	01.CA.0015.L	Front holed fairing - unpainted	1
2	01.CA.0002.G	Lateral fairing R - unpainted	1
3	01.CA.0003.G	Lateral fairing L - unpainted	1
4	01.CA.0004.G	Cover tank fairing - unpainted	1
5	01.CA.0005.G	Front fender - unpainted	1
6	01.CA.0006.G	Rear fender - unpainted	1
7	01.CA.0007.G	Lower fairing - unpainted	1
8	01.CA.0045.L	Kit plexi	1
9	01.CA.0000.G	Kit complete fairings - unpainted	1
10	01.CA.0046.L	Complete shall	1
11	01.TE.0026.L	Kit frame and fairings clips	1
12	01.CA.0020.L	Cover tank fixing washer	1
13	01.CA.0047.L	Kit complete screws fairings	1
14	01.CA.0023.L	Plexi screw M4	1

Group	FAIRINGS
Description	Painted fairings



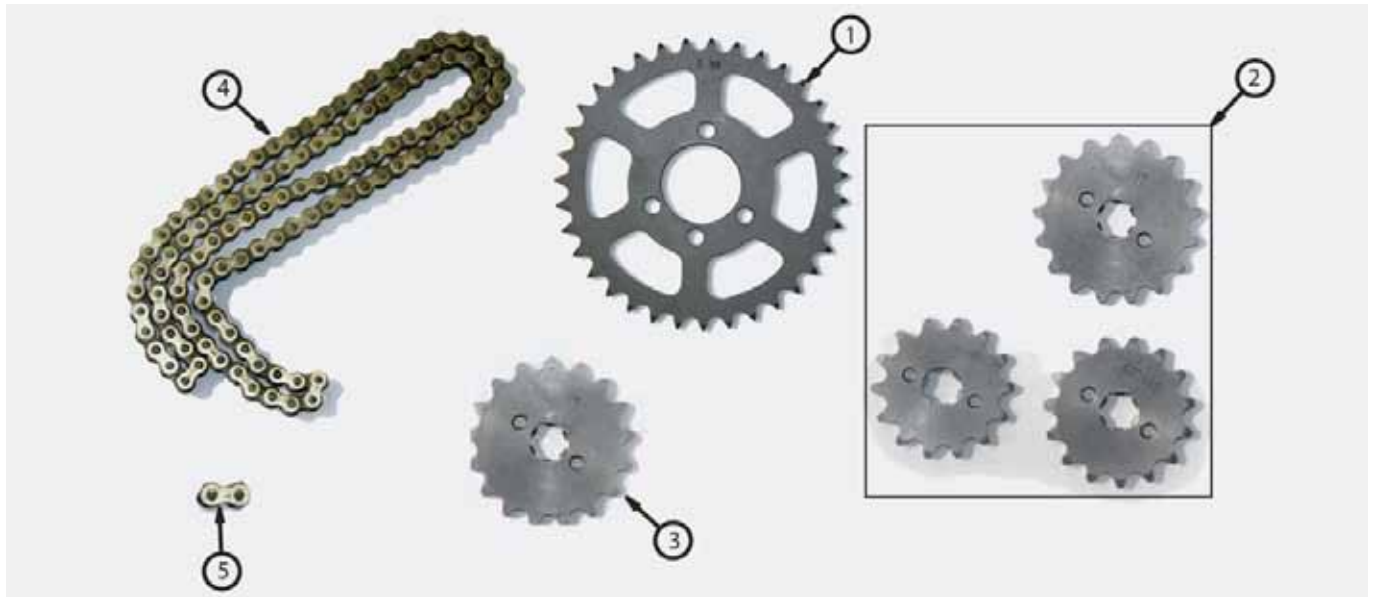
N.	Code	Description	Q.ty
1	01.CA.0001.L	Front fairing - painted	1
1	01.CA.0016.L	Front holed fairing - painted	1
2	01.CA.0002.L	Lateral fairing R - painted	1
3	01.CA.0003.L	Lateral fairing L - painted	1
4	01.CA.0004.L	Cover tank fairing - painted	1
5	01.CA.0005.L	Front fender - painted	1
6	01.CA.0006.L	Rear fender - painted	1
7	01.CA.0007.L	Lower fairing - painted	1
8	01.CA.0045.L	Kit plexi	1
9	01.CA.0000.L	Kit complete fairings - painted	1
10	01.CA.0046.L	Complete shall	1
11	01.TE.0026.L	Kit frame and fairings clips	1
12	01.CA.0020.L	Cover tank fixing washer	1
13	01.CA.0047.L	Kit complete screws fairings	1
14	01.CA.0023.L	Plexi screw M4	1

Group	ACCESSORIES
Description	GP-0 accessories



N.	Code	Description	Q.ty
1	01.OT.0601.L	Preload fork regulation kit	1
2	01.AM.0016.L	Spring OHVALE K140 rear shock abs.	1
2	01.AM.0017.L	Spring OHVALE K160 rear shock abs.	1
2	01.AM.0014.L	Spring OHVALE K175 rear shock abs..	1
3	01.FA.0021.L	Spring OHVALE K6 fork	1
3	01.FA.0015.L	Spring OHVALE K7 fork	1
4	01.IF.0100.L	SBS racing front pads	2
5	01.OT.0401.L	Front stand OHVALE	1
6	01.OT.0402.L	Tyrewarmers OHVALE - 220v	1
6	01.OT.0406.L	Tyrewarmers OHVALE - 110v (USA)	1
7	01.OT.0203.L	Alluminium reverse gear complete kit	1
8	01.OT.0204.L	Pull off kill switch	1
9	01.OT.0403.L	Bike cover OHVALE	1
10	01.OT.0312.L	Tank pad	1
11	01.MO.0402.L	EVR antislip clutch kit - 160 4s	1
11	01.MO.0401.L	EVR antislip clutch kit - 190 and 212 Daytona	1
12	01.OT.0250.L	Front Floating D.190 brake disk compl. kit	1
13	01.OT.0225.L	Keihin PE28 compl. kit for 160 4S	1
14	01.FO.0023.L	Racing chain tensioners - pair	1
15	01.TE.0117.L	Antivibration complete frame kit	1

Group	ACCESSORIES
Description	GP-0 transmission accessories



N.	Codice parte	Descrizione	Q.tà
1	01.OT.0023.L	Sprocket Z23 ERGAL - PBR	1
1	01.OT.0024.L	Sprocket Z24 ERGAL - PBR	1
1	01.OT.0025.L	Sprocket Z25 ERGAL - PBR	1
1	01.OT.0026.L	Sprocket Z26 ERGAL - PBR	1
1	01.OT.0027.L	Sprocket Z27 ERGAL - PBR	1
1	01.OT.0028.L	Sprocket Z28 ERGAL - PBR	1
1	01.OT.0029.L	Sprocket Z29 ERGAL - PBR	1
1	01.OT.0030.L	Sprocket Z30 ERGAL - PBR	1
1	01.OT.0031.L	Sprocket Z31 ERGAL - PBR	1
1	01.OT.0032.L	Sprocket Z32 ERGAL - PBR	1
1	01.OT.0033.L	Sprocket Z33 ERGAL - PBR	1
1	01.OT.0034.L	Sprocket Z34 ERGAL - PBR	1
1	01.OT.0035.L	Sprocket Z35 ERGAL - PBR	1
1	01.OT.0036.L	Sprocket Z36 ERGAL - PBR	1
1	01.OT.0037.L	Sprocket Z37 ERGAL - PBR	1
1	01.OT.0038.L	Sprocket Z38 ERGAL - PBR	1
1	01.OT.0039.L	Sprocket Z39 ERGAL - PBR	1
2	01.OT.0001.L	Kit pinions - mod. 160 4S - Z14 / Z15 / Z17	1
2	01.OT.0003.L	Kit pinions - mod. 110 4S - Z15 / Z16 / Z17	1
2	01.OT.0002.L	Kit pinions - mod. 190 e 110 A - Z15 / Z16	1
3	01.OT.0007.L	Pinion Z13	1
3	01.OT.0004.L	Pinion Z14	1
3	01.OT.0005.L	Pinion Z15	1
3	01.TR.0003.L	Pinion Z16	1
3	01.OT.0006.L	Pinion Z17	1
4	01.TR.0007.L	Chain 420 L.100 - Regina Chain	1
5	01.TR.0008.L	Join link - 420 Regina Chain	1
5	01.TR.0005.L	Join link - 420 KMC Chain	1

Group	ACCESSORIES
Description	RTGS components



N.	Code	Description	Q.ty
1	01.OT.0321.L	Complete kit RTGS 110 4S (parts 3-4-5-6-10)	1
1	01.OT.0322.L	Complete kit RTGS 160 4S (parts 3-4-5-6-7-10)	1
1	01.OT.0323.L	Complete kit RTGS 190 Daytona (parts 3-4-5-6-10)	1
2	01.OT.0324.L	Fixing screws kit 110 4S	1
2	01.OT.0325.L	Fixing screws kit 160 4S	1
2	01.OT.0326.L	Fixing screws kit 190 Daytona	1
3	01.OT.0340.L	Oil cap cotter pin	1
4	01.OT.0337.L	Tank sponge kit RTGS	1
3	01.OT.0341.L	Lower fairing drain plug	1
5	01.OT.0421.L	RTGS Rear light	1
3	01.OT.0422.L	Rear light fixing spacer	1
3	01.OT.0423.L	Threaded blind M5	1
3	01.OT.0424.L	Screw TSEI M5x16	1
6	01.OT.0330.L	RTGS Clutch protection 110 4S	1
6	01.OT.0331.L	RTGS Clutch protection 160 4S	1
7	01.OT.0332.L	Long spacer - RTGS Clutch protection 160 4s	1
7	01.OT.0333.L	Short spacer - Distanz. corto protez. CIV 160 4s	1
6	01.OT.0334.L	RTGS Clutch protection 190 Daytona	1
7	01.OT.0338.L	Screw TCEI M6X45	1
7	01.OT.0339.L	Screw TCEI M6X55	1
8	01.OT.0350.L	RH Lever Guard Acerbis	1
9	01.OT.0351.L	RH+LH Lever guard kit Acerbis	1
10	01.OT.0336.L	Reservoir tank 250ml Acerbis	1

Group	ACCESSORIES
Description	Accessories GP-0 OHLINS



N.	Code	Description	Q.ty
1	01.OT.0650.L	ANDREANI OHLINS complete suspension kit - Ohlins oil included	1
2	01.AM.0100.L	Rear shock absorber OHLINS	1
3	01.FA.0120.L	Kit cartridges ANDREANI	1
4	01.AM.0101.L	Spring OHLINS K140	1
4	01.AM.0102.L	Spring OHLINS K160	1
5	01.FA.0121.L	Spring OHLINS K7	1
5	01.FA.0122.L	Spring OHLINS K6	1
6	01.FA.0123.L	Oil OHLINS Fork (0,5 L)	1
7	01.FA.0125.L	Andreani cartridge cap - compression	1
8	01.FA.0126.L	Andreani cartridge cap - rebound	1



NOTES

